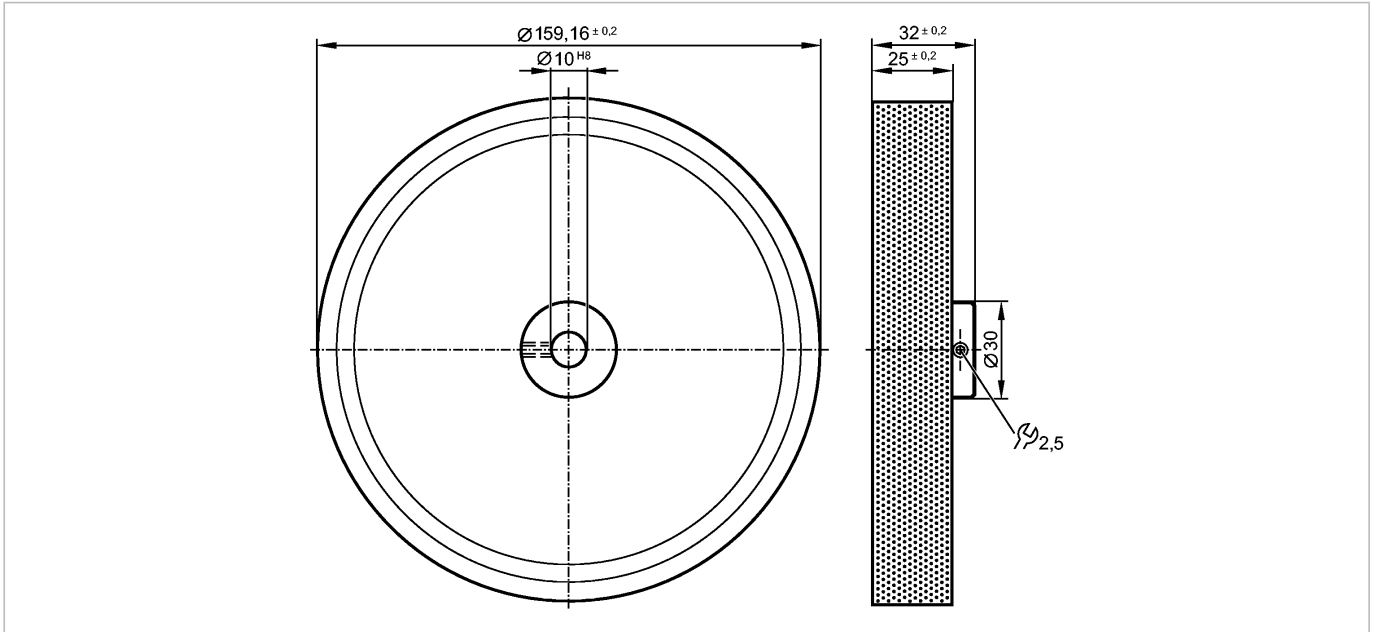


MEASURING WHEEL U:500 N:10

Accessories



Product characteristics

Measuring wheel

$\varnothing 159.16$  mm /  $\varnothing 10$  mm

Environment

Ambient temperature [°C] -30...80

Mechanical data

Design rubber

Surface hardness 60° Shore A

Housing materials wheel: aluminum; surface characteristics: PU (polyurethane)

Tightening torque [Nm] 3 (Screw)

Weight [kg] 0.269

Remarks

Pack quantity [piece] 1

Other data

Circumference [mm] 500

D Shaft diameter [mm] 10

B Width [mm]  $25 \pm 0.2$

A Total width [mm]  $32 \pm 0.2$