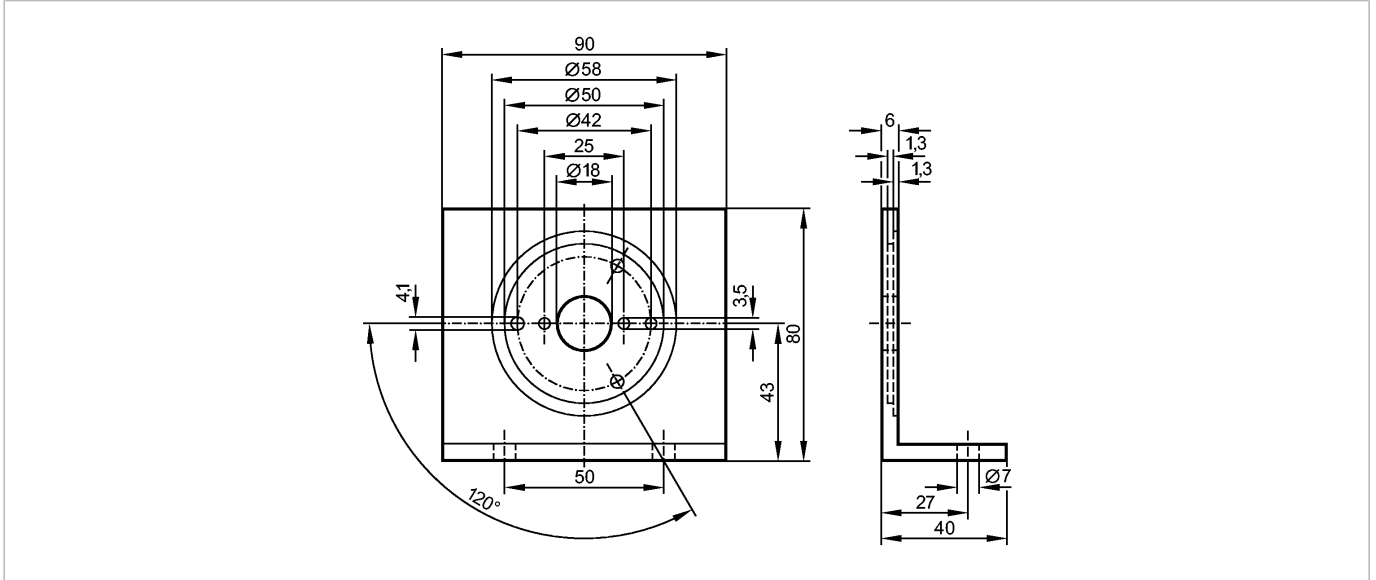


ANGLE BRACKET ENCODERS

Accessories



Product characteristics

Angle bracket

Mechanical data

Design

for encoders for types RB, RC, RM, RN, RU

Housing materials

aluminum black anodized

Weight [kg]

0.153

Remarks

Pack quantity [piece]

1