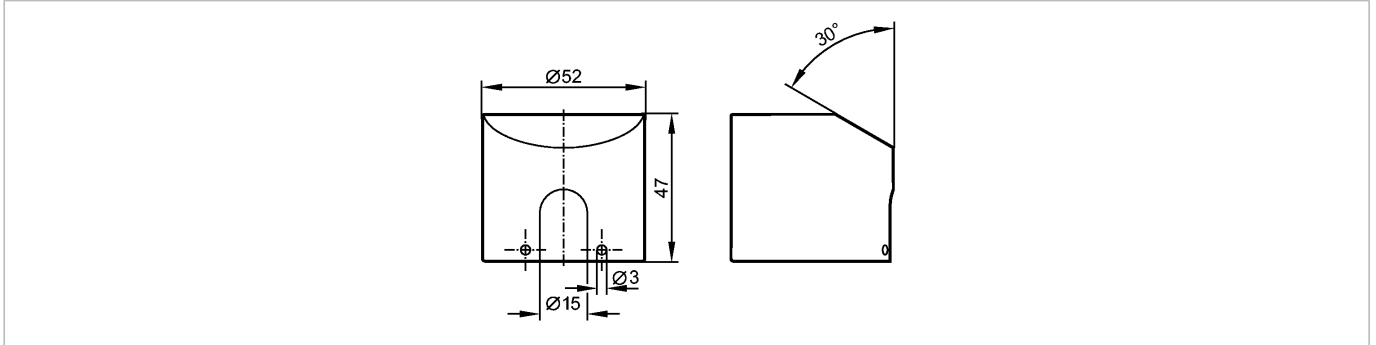




PROTECTIVE COVER LK

Accessories



Product characteristics

Protective cover

Mechanical data

Design	for LK / LL / LR / LT sensors
Housing materials	PP (polypropylene)
Weight [kg]	0.012
Remarks	
Pack quantity [piece]	1