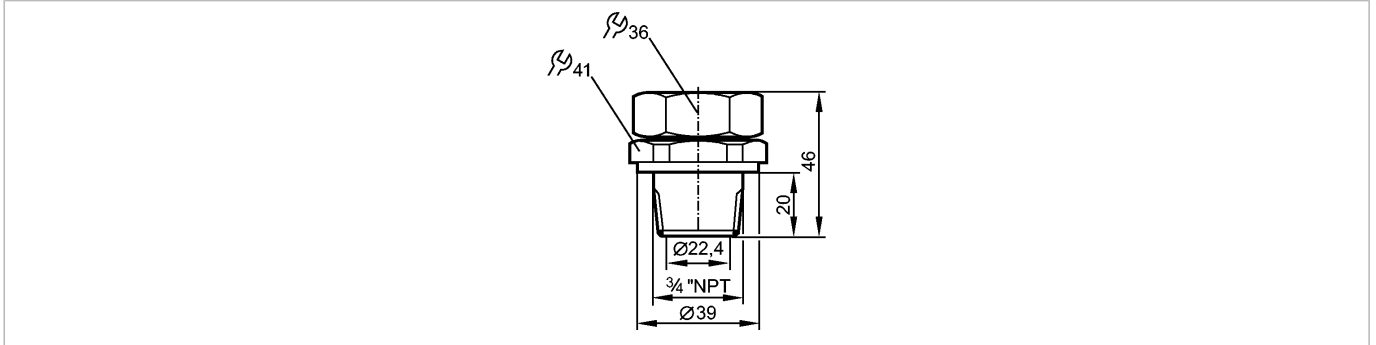




MOUNTING ADAPTER NPT3/4/D22

Accessories



Product characteristics

Mounting adapter

3/4" NPT D22

D22

for climatic tube LK / LI

Environment

Pressure rating	[bar]	0.5
-----------------	-------	-----

Ambient temperature	[°C]	0...80
---------------------	------	--------

Mechanical data

Process connection	3/4" NPT
--------------------	----------

Housing materials	stainless steel; NBR; brass
-------------------	-----------------------------

Tightening torque	[Nm]	6...8
-------------------	------	-------

Weight	[kg]	0.203
--------	------	-------

Remarks

Pack quantity	[piece]	1
---------------	---------	---