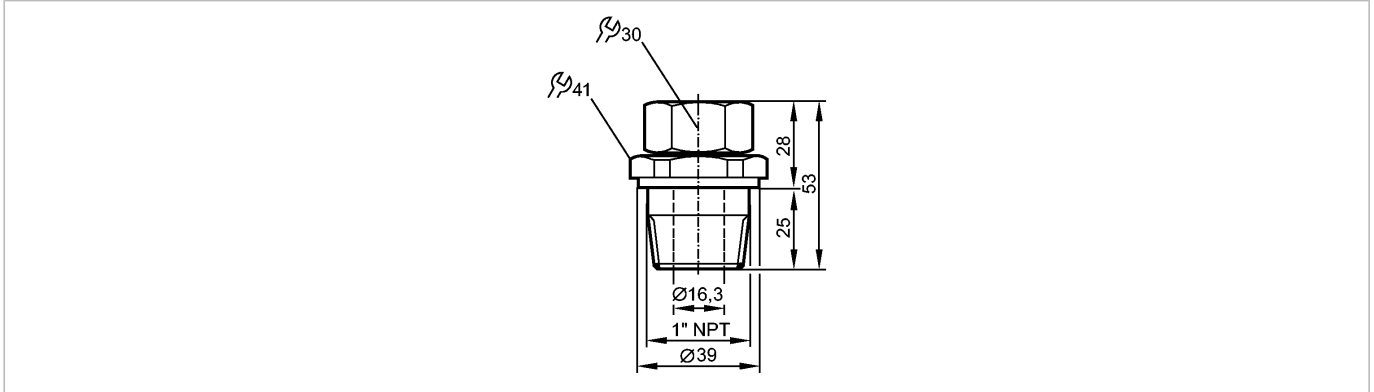




MOUNTING ADAPTER NPT1/D16

Accessories



Product characteristics

Mounting adapter

1" NPT D16

D16

Environment

Pressure rating [bar] 0.5

Ambient temperature [°C] 0...80

Mechanical data

Process connection 1" NPT

Design

for capacitive level sensors LK, LI, LT, LL

Housing materials

flange: stainless steel; nut: stainless steel; Spacer: brass; Locking ring: FPM (Viton)

Tightening torque [Nm] 6...9

Weight [kg] 0.322

Remarks

Pack quantity [piece] 1