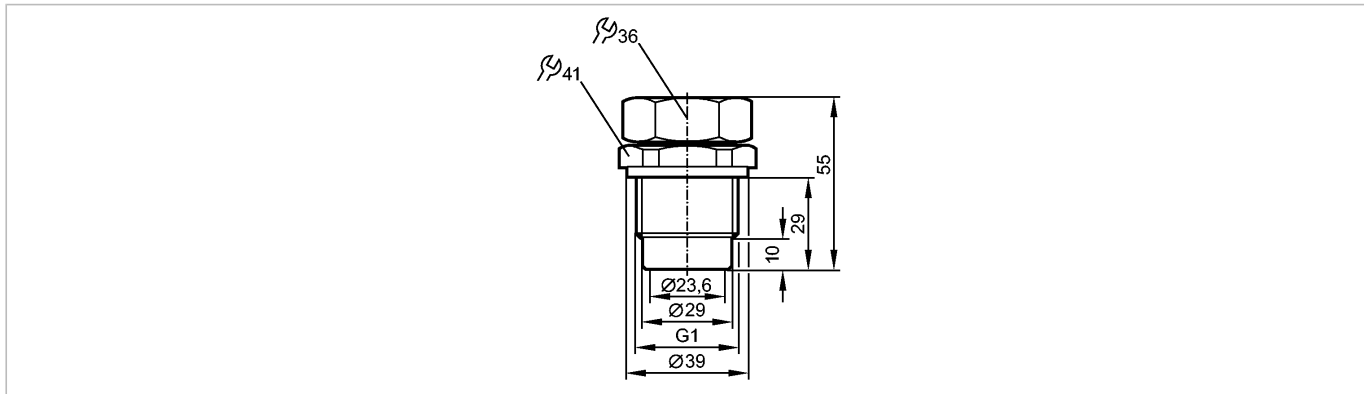




MOUNTING ADAPTER G1/D22

Accessories



Product characteristics

Mounting adapter

G 1 D22

D22

for climatic tube LK / LI

Environment

Pressure rating [bar]

0.5

Ambient temperature [°C]

0...80

Mechanical data

Process connection

G 1

Housing materials

stainless steel; NBR; Tesnit; brass

Tightening torque [Nm]

6...8

Weight [kg]

0.251

Remarks

Pack quantity [piece]

1