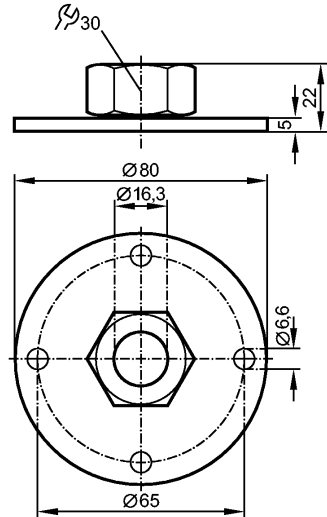


FLANGE PLATE 65-80 D16

Accessories



Product characteristics

Flange plate

65-80 D16

Environment

Pressure rating [bar] 0.5

Mechanical data

Design

for capacitive level sensors LK, LI, LT, LL

Housing materials

flange: aluminum anodized; nut: stainless steel; Spacer: brass; Locking ring: FPM (Viton)

Tightening torque [Nm]

6...9

Weight [kg]

0.145

Remarks

Pack quantity [piece]

1