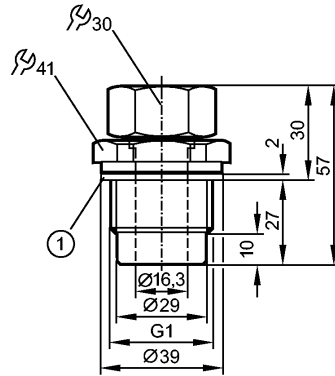


MOUNTING ADAPTER G1

Accessories



1: sealing

Product characteristics

Mounting adapter

G 1 D16

D16

Environment

Pressure rating [bar]

0.5

Ambient temperature [°C]

0...80

Mechanical data

Process connection

G 1

Design

for capacitive level sensors LK, LI, LT, LL

Housing materials

flange: stainless steel; nut: stainless steel; Spacer: brass; Locking ring: FPM (Viton);  
sealing: Tesnit

Tightening torque [Nm]

6...9

Weight [kg]

0.328

Remarks

Pack quantity [piece]

1