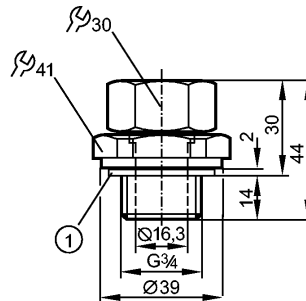


MOUNTING ADAPTER G3/4

Accessories



1: sealing

Product characteristics

Mounting adapter

G 3/4 D16

D16

Environment

Pressure rating	[bar]	0.5
-----------------	-------	-----

Ambient temperature	[°C]	0...80
---------------------	------	--------

Mechanical data

Process connection	G 3/4
--------------------	-------

Design

for capacitive level sensors LK, LI, LT, LL

Housing materials

flange: stainless steel; nut: stainless steel; Spacer: brass; Locking ring: FPM (Viton);
sealing: Tesnit

Tightening torque	[Nm]	6...9
-------------------	------	-------

Weight	[kg]	0.239
--------	------	-------

Remarks

Pack quantity	[piece]	1
---------------	---------	---