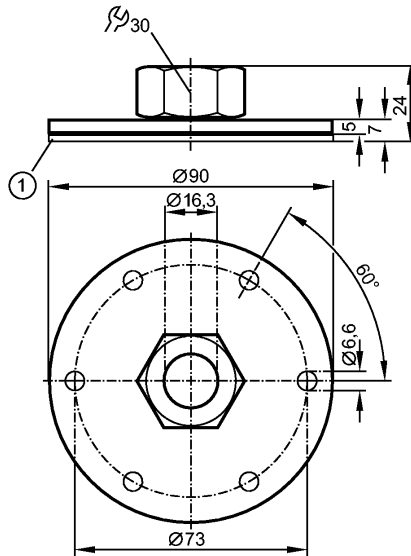


FLANGE PLATE 73-90 D16

Accessories



1: sealing

Product characteristics

Flange plate

73-90 D16

according to DIN 24557

Environment

Pressure rating [bar]

0.5

Ambient temperature [°C]

0...80

Mechanical data

Design

for capacitive level sensors LK, LI, LT, LL

Housing materials

aluminum anodized; nut: stainless steel; Spacer: brass; Locking ring: FPM (Viton);
sealing: NBR

Tightening torque [Nm]

6...9

Weight [kg]

0.185

Remarks

Pack quantity [piece]

1