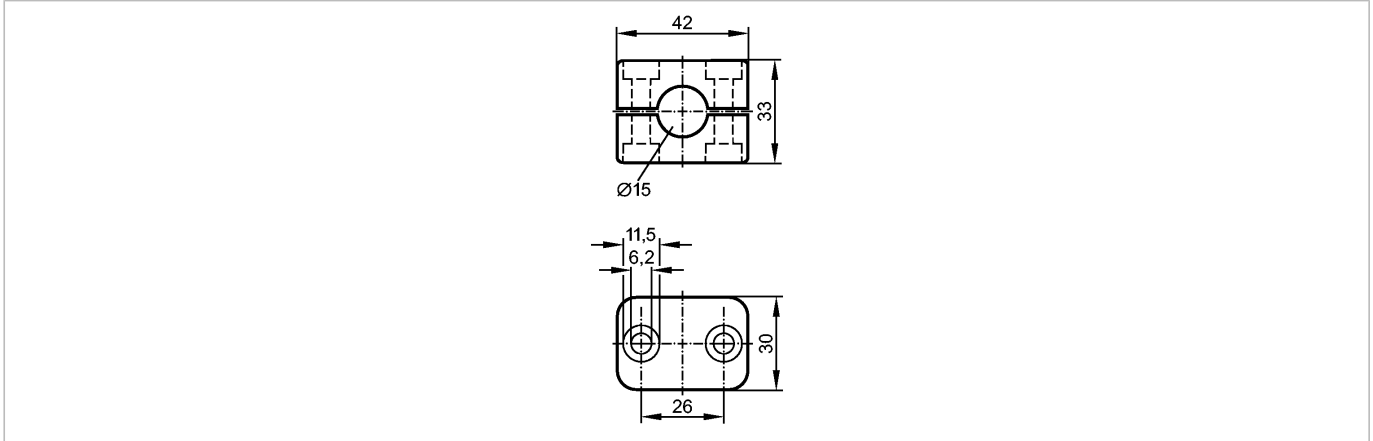




MOUNTING CLAMPS F SENSOR LK LI

Accessories



Product characteristics

Mounting clamp

Ø 16 mm

Mechanical data

Design

for capacitive level sensors LK, LI, LT, LL

Housing materials

PP (polypropylene)

Tightening torque [Nm]

2.5

Weight [kg]

0.019

Remarks

Pack quantity [piece]

1