

Article discontinued as of 31.March 2017

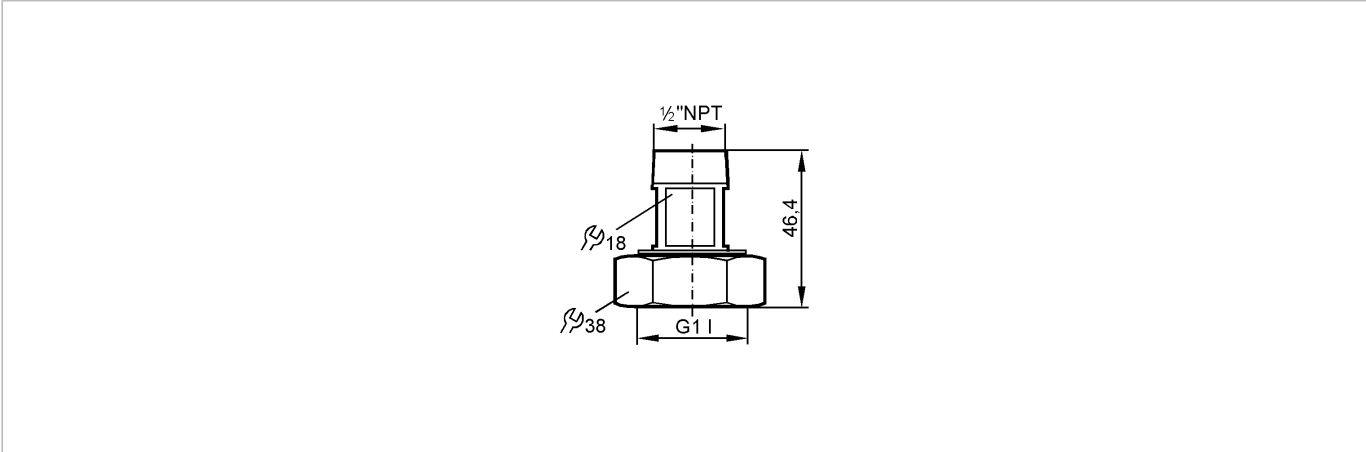
efector300

E40155



ADAPTER G1-NPT1/2/MS

Accessories



Product characteristics

Adapter

G 1 - 1/2" NPT

Mechanical data

Process connection	1/2" NPT
for units with process connection	G 1
Design	for flow monitor type SM8 / SU8
Housing materials	brass
Weight [kg]	0.263
Accessories	
Accessories (included)	2 x packing washer (Centellen)
Remarks	
Pack quantity [piece]	2

ifm efector, inc. • 1100 Atwater Drive • Malvern • PA 19355 — We reserve the right to make technical alterations without prior notice. — US — E40155 — 16.05.2003

Article discontinued as of 31.March 2017