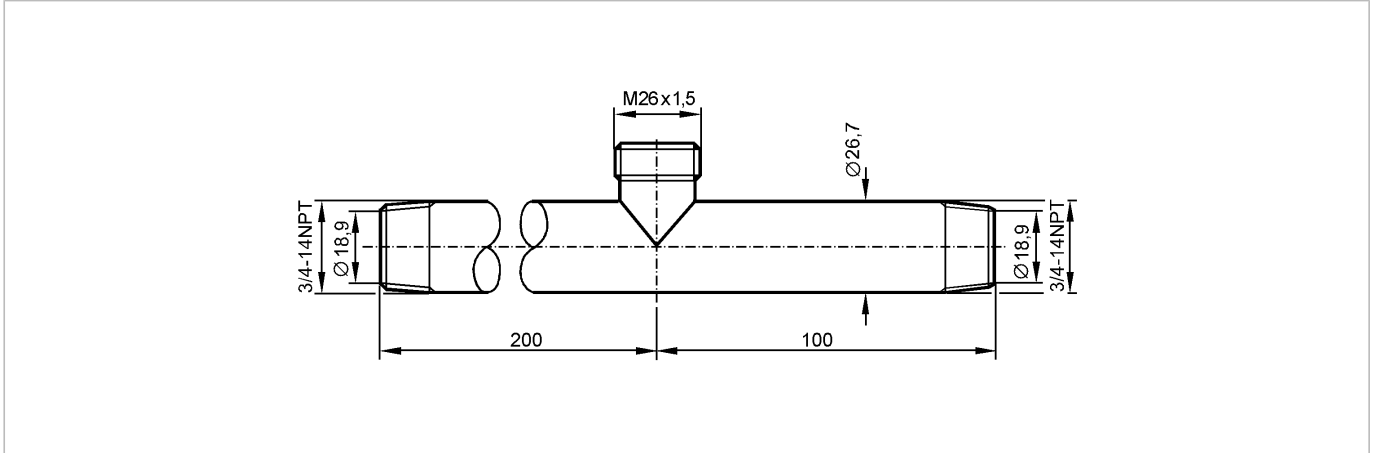




T-PIECE 3/4-14NPT

Accessories



Product characteristics

T-piece

3/4-14NPT

Flow rate: 0...20 l/min

Mechanical data

Design

for sensors and adapters with process connection M26 x 1.5

Housing materials

stainless steel 316Ti / 1.4571

Remarks

Pack quantity

[piece]

1