

Article discontinued as of 31.March 2016

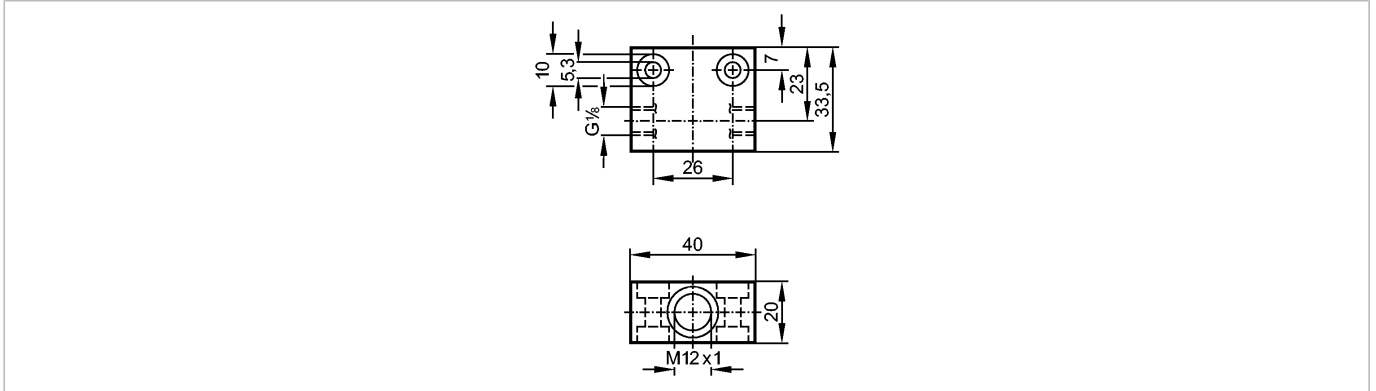
efector300

E40130



FLOW ADAPT SI TI

Accessories



Product characteristics

Flow adapter (for low flow rates)

M12 x 1 - G 1/8

Software / programming

Flow rate [ml/min]

2...100

Environment

Pressure rating [bar]

30

Medium temperature [°C]

0...80 *)

Mechanical data

Design

for flow sensors and compact flow monitors with adapter

Housing materials

titanium

Weight [kg]

0.093

Probe seal

by PTFE seal of the corresponding M12 adapter (E40128)

Installation

via internal 1/8" male thread
any mounting position

Remarks

Remarks

*) temperature gradient: 1 K/min

Pack quantity [piece]

1

ifm efector, inc. • 1100 Atwater Drive • Malvern • PA 19355 — We reserve the right to make technical alterations without prior notice. — US — E40130 — 06.03.2003

Article discontinued as of 31.March 2016