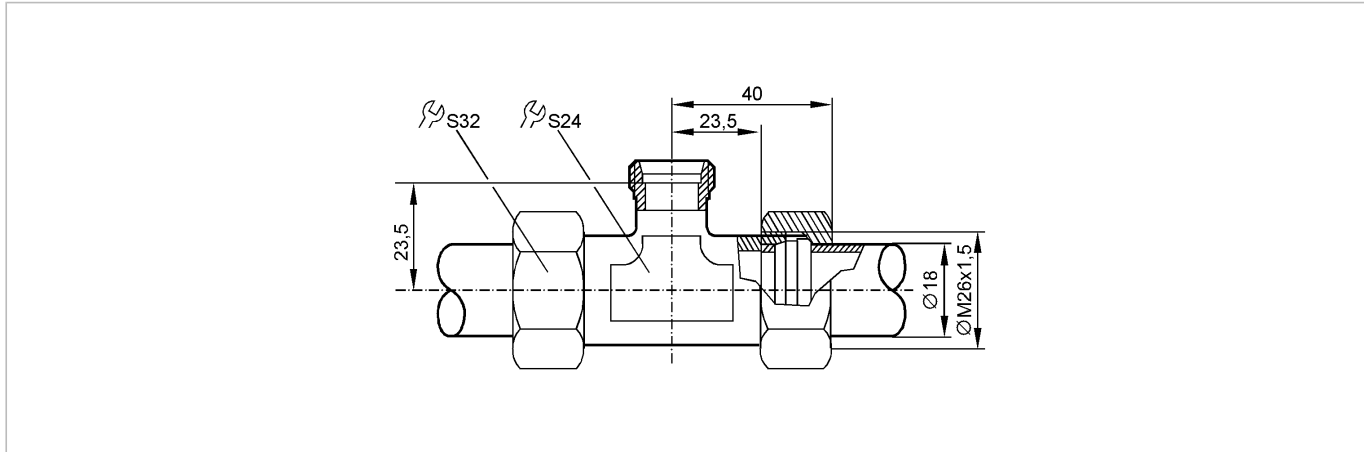


T-PIECE QL18-18-18/VA

Accessories



Product characteristics

Progressive ring T-piece DIN 2353

QL 18-18-18

Recommendation: precision steel pipes 18 x 1.5 to DIN DIN 2391/ISO 3304

Application

Application

Liquids and gases of the fluid group 2 according to the Pressure Equipment Directive (PED)

Software / programming

Perm. overload pressure [bar]

315

Tests / approvals

Pressure equipment directive

article 3, section 3 - sound engineering practice

Mechanical data

Design

for sensors and adapters with process connection M26 x 1.5

Housing materials

stainless steel 316Ti / 1.4571

Weight

[kg]

0.312

Accessories

Accessories (optional)

Adapter M18 x 1.5 for the adaptation of type SI flow monitors (order no. E40104)

Remarks

Pack quantity

[piece]

1