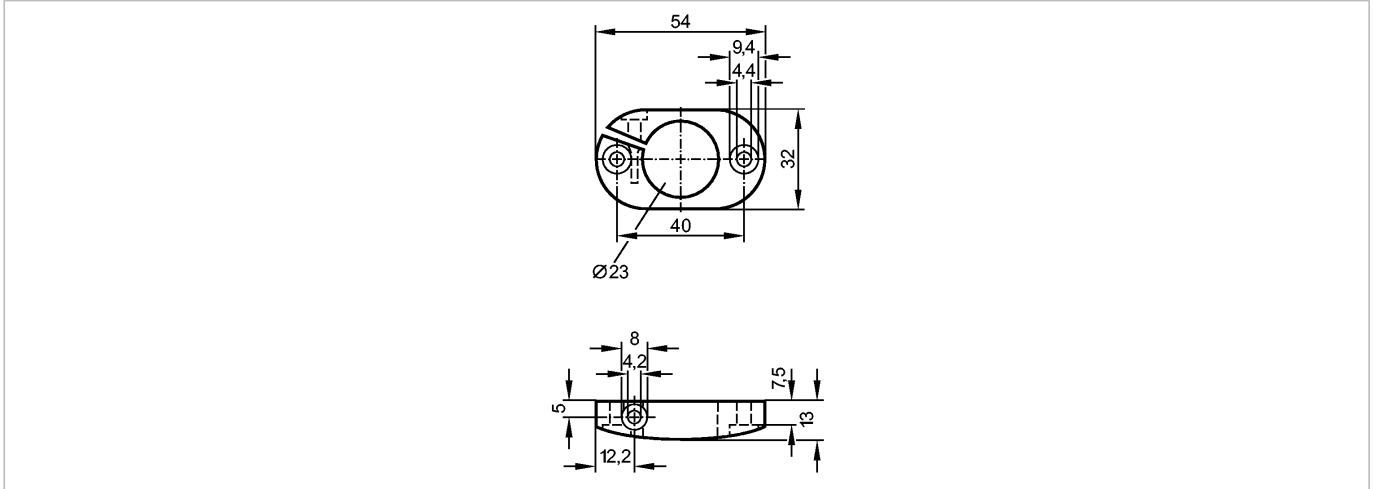


MOUNTING CLAMP SLG

Accessories



Product characteristics

Mounting clamp

Ø 23 mm

Mechanical data

Design

for air flow monitor SLG

Housing materials

PBT

Weight [kg]

0.016

Remarks

Pack quantity [piece]

1