

no longer available - archive entry

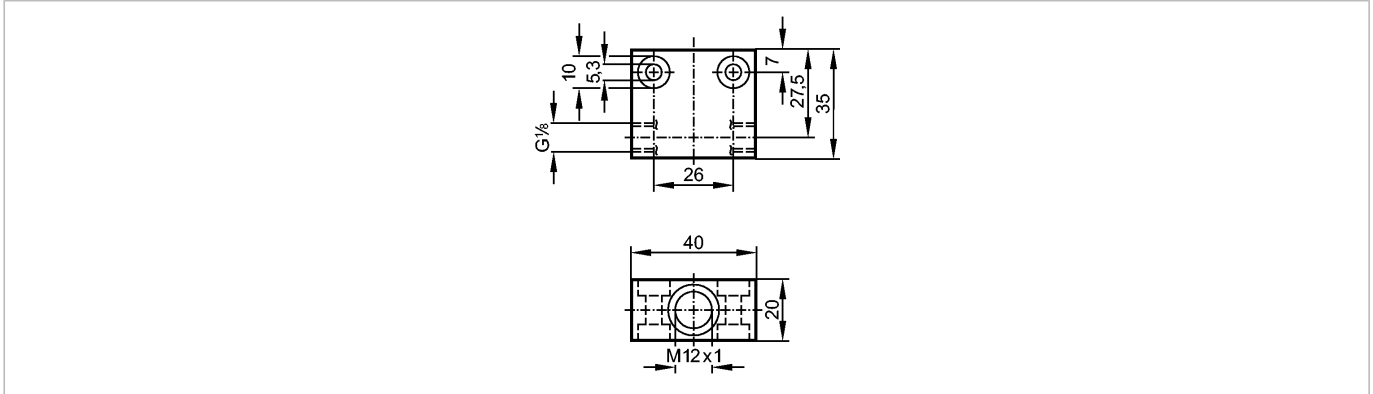
**efector300**

E40026



FLOW ADAPT M12X1 AL

Accessories



Product characteristics

Flow adapter (for low flow rates)

M12 x 1 - G 1/8

Software / programming

Flow rate [ml/min]

2...50

Environment

Medium temperature [°C]

0...80

Mechanical data

Design

for flow sensors and compact flow monitors; M12 x 1

Sealing

with enclosed O-ring:...3 bar  
with Loc-tite 683:...30 bar  
(in this case screw in up to 1 mm before thread end):

Housing materials

AlZnMgCu (3.4335) black anodized

Type of mounting

via internal 1/8" male thread  
any mounting position

Weight [kg]

0.061

Remarks

Pack quantity [piece]

1

ifm efector, inc. • 1100 Atwater Drive • Malvern • PA 19355 — We reserve the right to make technical alterations without prior notice. — US — E40026 — 06.03.2003

no longer available - archive entry