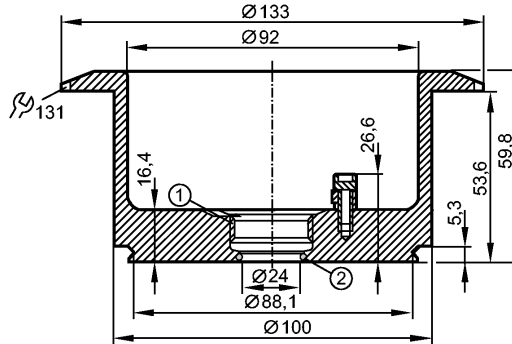




ADAPT IFM-TANK SPUD SEAL

Accessories



1: Aseptoflex thread
2: sealing

EC 1935/2004 

Product characteristics

Aseptoflex adapter

Tank spud

with O-ring

Environment

Pressure rating [bar]

34

Mechanical data

Housing materials

stainless steel 316L / 1.4404; O-ring: EPDM

Surface characteristics Ra / Rz of the wetted part(s)

0.4 / 4

Hygienic class (to DIN 11866)

H4

Weight [kg]

1.594

Accessories

Accessories (optional)

EPDM O-rings, 5 pcs., part no. E30054
FPM (Viton) O-rings, 5 pcs., part no. E30053

Remarks

Pack quantity [piece]

1