

no longer available - archive entry

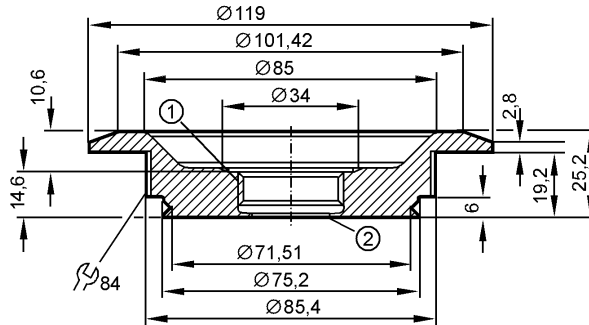
**efectorsoo**

E33122



ADAPT IFM-THIN-WALL TANK SPUD

Accessories



- 1: Aseptoflex thread
- 2: Aseptoflex sealing edge

Product characteristics

Aseptoflex adapter

Clamp

Tank spud

for units with Aseptoflex adapter

Mechanical data

Housing materials

stainless steel 316L / 1.4404

Surface characteristics Ra / Rz of the wetted part(s)

0.4 / 4

Hygienic class (to DIN 11866)

H4

Weight

[kg]

0.9

Remarks

Pack quantity

[piece]

1

ifm efector, inc. • 1100 Atwater Drive • Malvern • PA 19355 — We reserve the right to make technical alterations without prior notice. — US — E33122 — 16.11.2012

no longer available - archive entry