

Article discontinued as of 31.March 2016

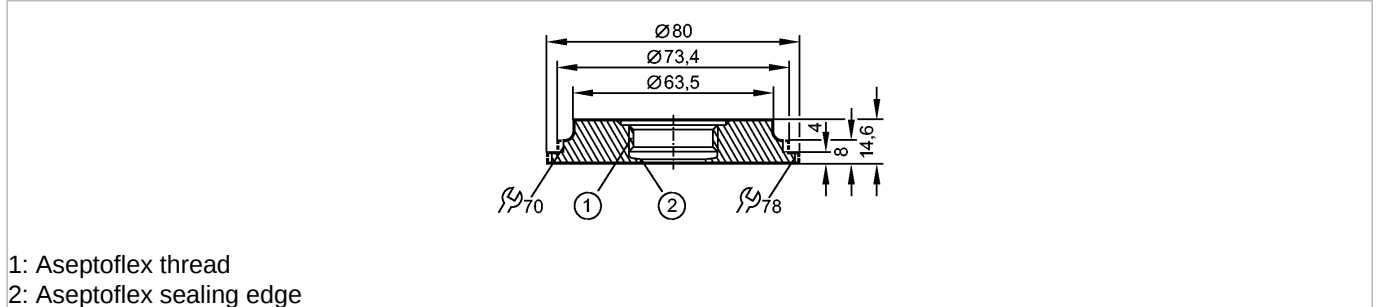
efectorsoo

E33033



ADAPT IFM-SMS DN65 (2.5)

Accessories



1: Aseptoflex thread
2: Aseptoflex sealing edge

EC 1935/2004 FDA

Product characteristics

Aseptoflex adapter

Pipe fitting

DN65 (2.5")

SMS

for units with Aseptoflex adapter

Environment

Pressure rating [bar] 25

Mechanical data

Process connection SMS pipe fitting DN65 (2.5")

Housing materials stainless steel 316L / 1.4404

Surface characteristics Ra / Rz of the wetted part(s) 0.4 / 4

Hygienic class (to DIN 11866) H4

Weight [kg] 0.414

Remarks

Pack quantity [piece] 1

ifm efector, inc. • 1100 Atwater Drive • Malvern • PA 19355 — We reserve the right to make technical alterations without prior notice. — US — E33033 — 15.11.2012

Article discontinued as of 31.March 2016