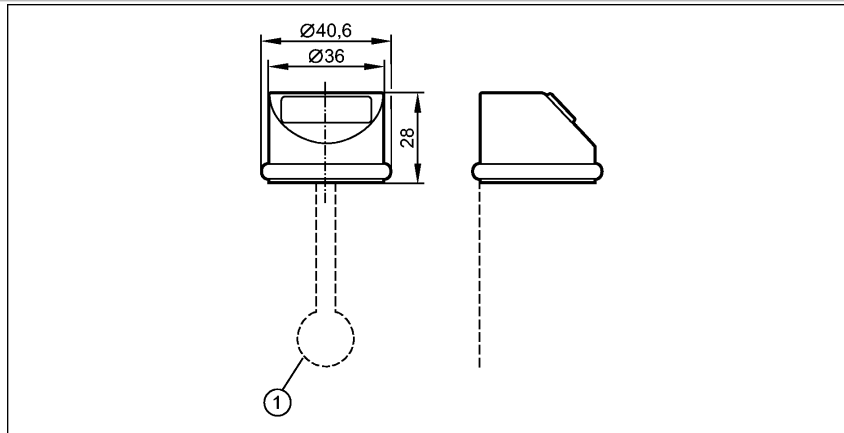




PROTECTIVE COVER VA VITON

Accessories



1: ventilation strip

Product characteristics

Protective cover

for fluid sensors

stainless steel with transparent Teflon window

Mechanical data

Housing materials

housing: stainless steel 316Ti / 1.4571; ventilation strip: PTFE; viewing glass: PTFE;
O-ring: Viton

Weight [kg]

0.037

Remarks

Pack quantity [piece]

1