

no longer available - archive entryreplaced by: E30038

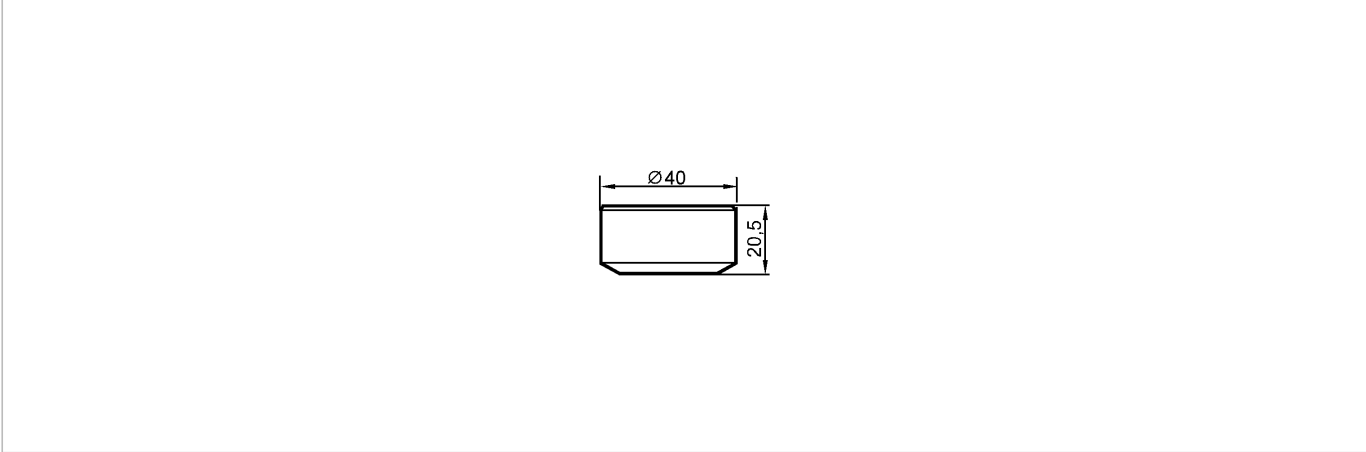
**efectorsoo**

E30085



COVER FILTER SYSTEM WO HOLE

Accessories



Product characteristics

Accessory cover for filter system

Mechanical data

Design	for pressure sensors type PB, PN, PY, PZ
Housing materials	POM (polyoxymethylene) black; O-ring: Viton
Weight [kg]	0.017
Remarks	
Pack quantity [piece]	1

ifm efector, inc. • 1100 Atwater Drive • Malvern • PA 19355 — We reserve the right to make technical alterations without prior notice. — US — E30085 — 02.07.2013

no longer available - archive entryreplaced by: E30038