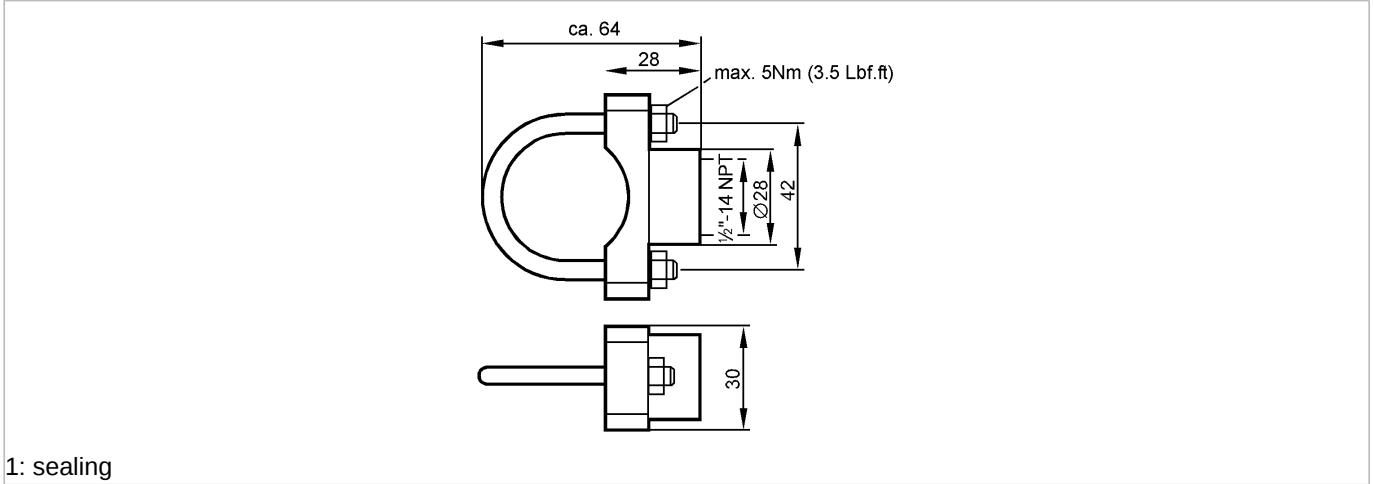




CONDUIT ADAPTER 1/2 NPT

Accessories



1: sealing

Product characteristics

Conduit adapter

for the connection of conduit adapters with 1/2 - 14 NPT coupling

Mechanical data

Design	for pressure sensors with lateral connector
Housing materials	clamping device: stainless steel (303S22); clamp fastener: stainless steel (304S15); sealing: Viton 75 Shore
Weight [kg]	0.215
Remarks	
Pack quantity [piece]	1