

no longer available - archive entryArticle available until 31 March 2014

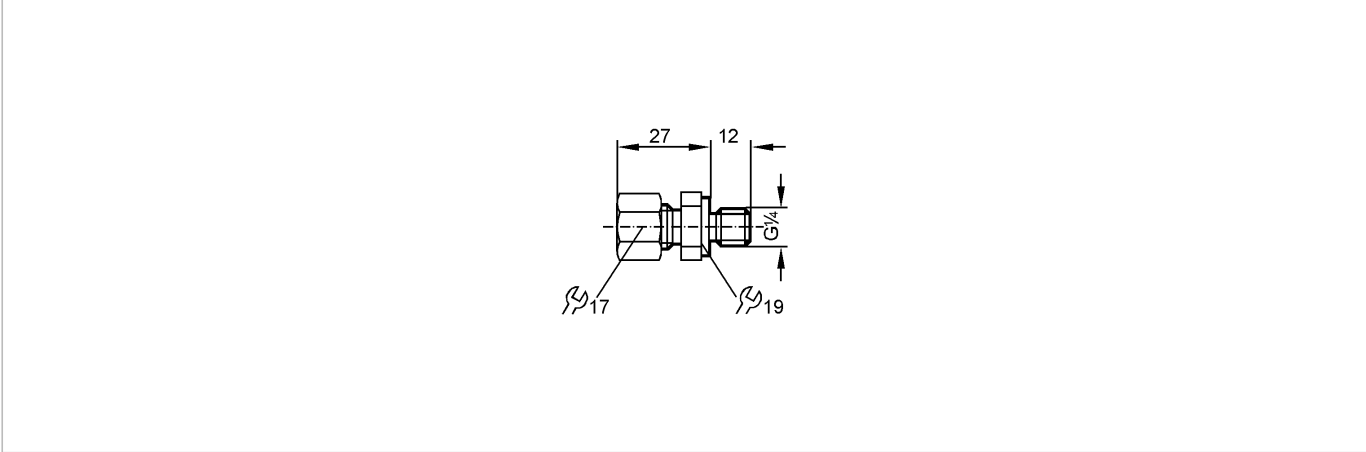
efector600

E30061



PROGRESSIVE RING FITTING

Accessories



Product characteristics

Compression fitting for temperature sensors

Ø 8 mm - G 1/4

Environment

Pressure rating [bar] 50

Mechanical data

Housing materials stainless steel 316Ti / 1.4571

Weight [kg] 0.046

Remarks

Pack quantity [piece] 1

ifm efector, inc. • 1100 Atwater Drive • Malvern • PA 19355 — We reserve the right to make technical alterations without prior notice. — US — E30061 — 09.09.2013

no longer available - archive entryArticle available until 31 March 2014