

no longer available - archive entry

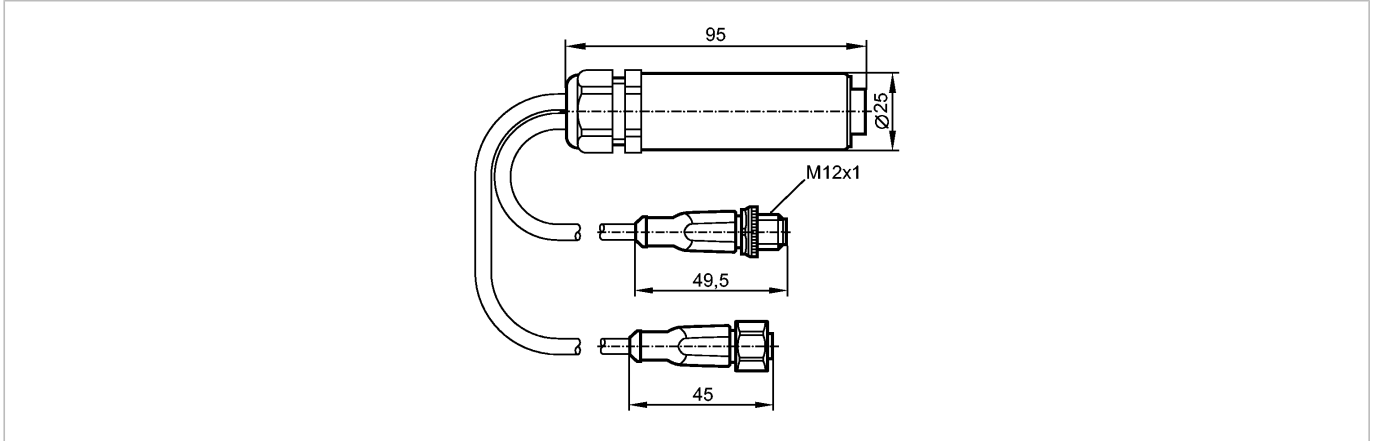
efectorsoo

E30051



TEACHT BOTTON F EPS

Accessories



Product characteristics

Teach button

for EPS sensors

Electrical data

Operating voltage

[V]

10...30 DC

Environment

Protection

IP 40

Mechanical data

Housing materials

stainless steel (303S22); PA; PMMA

Weight

[kg]

0.21

Electrical connection

Connection

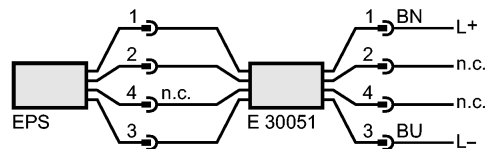
PUR cable / 0.9 m

Wiring

Core colors

BN brown

BU blue



Remarks

Remarks

n.c. = not connected

Pack quantity

[piece]

1

ifm efector, inc. • 1100 Atwater Drive • Malvern • PA 19355 — We reserve the right to make technical alterations without prior notice. — US — E30051 — 06.03.2003

no longer available - archive entry