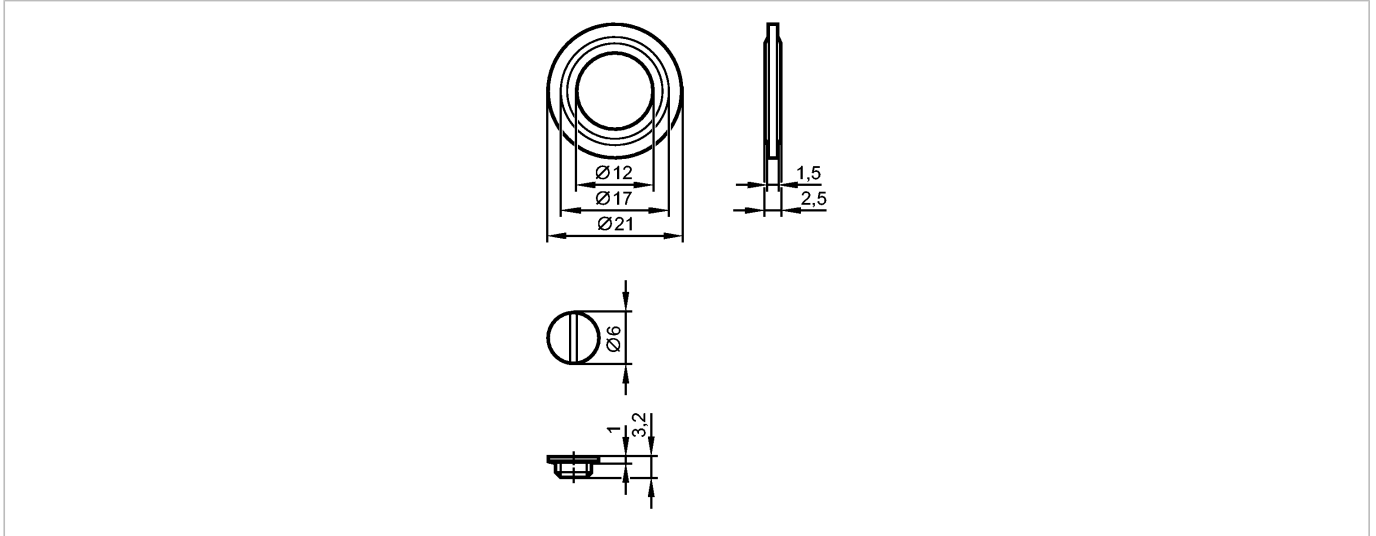




DAMPING SCREW

Accessories



Product characteristics

Damping screw

Mechanical data

Design

for pressure sensors type Typ PA, PB, PN, PY, PZ

Weight

[kg]

0.005

Accessories

Accessories (included)

gasket

Remarks

Pack quantity

[piece]

1