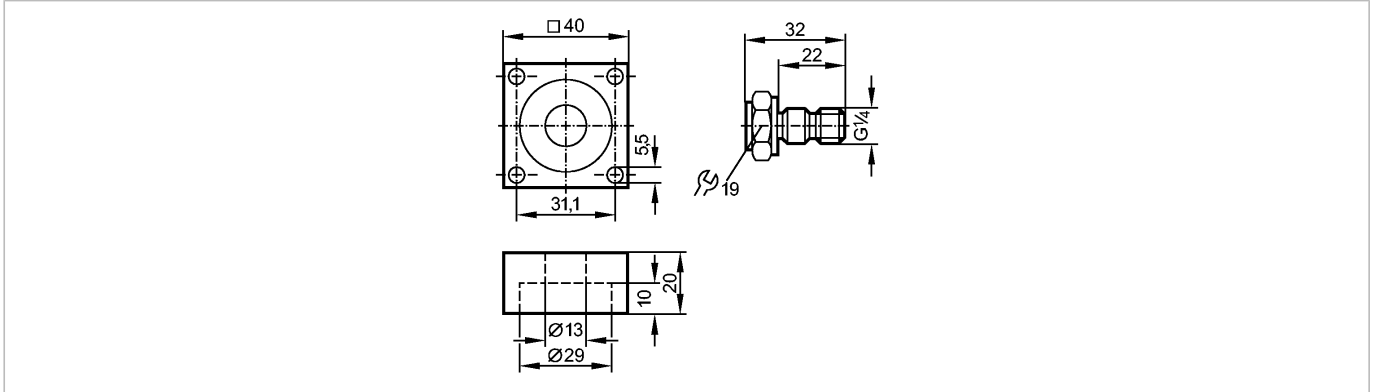




FLSH ADAPT PX 31.1

Accessories



|                                   |   |
|-----------------------------------|---|
| Product characteristics           |   |
| Flange adapter                    |   |
| G 1/4                             |   |
| Hole spacing                      |   |
| 31.1 mm                           |   |
| Mechanical data                   |   |
| for units with process connection | G 1/4   |
| Housing materials                 | sealing: NBR, acrylonitrile-butadiene-rubber; flange: aluminum; hollow screw: brass |
| Weight [kg]                       | 0.118   |
| Remarks                           |   |
| Pack quantity [piece]             | 1   |