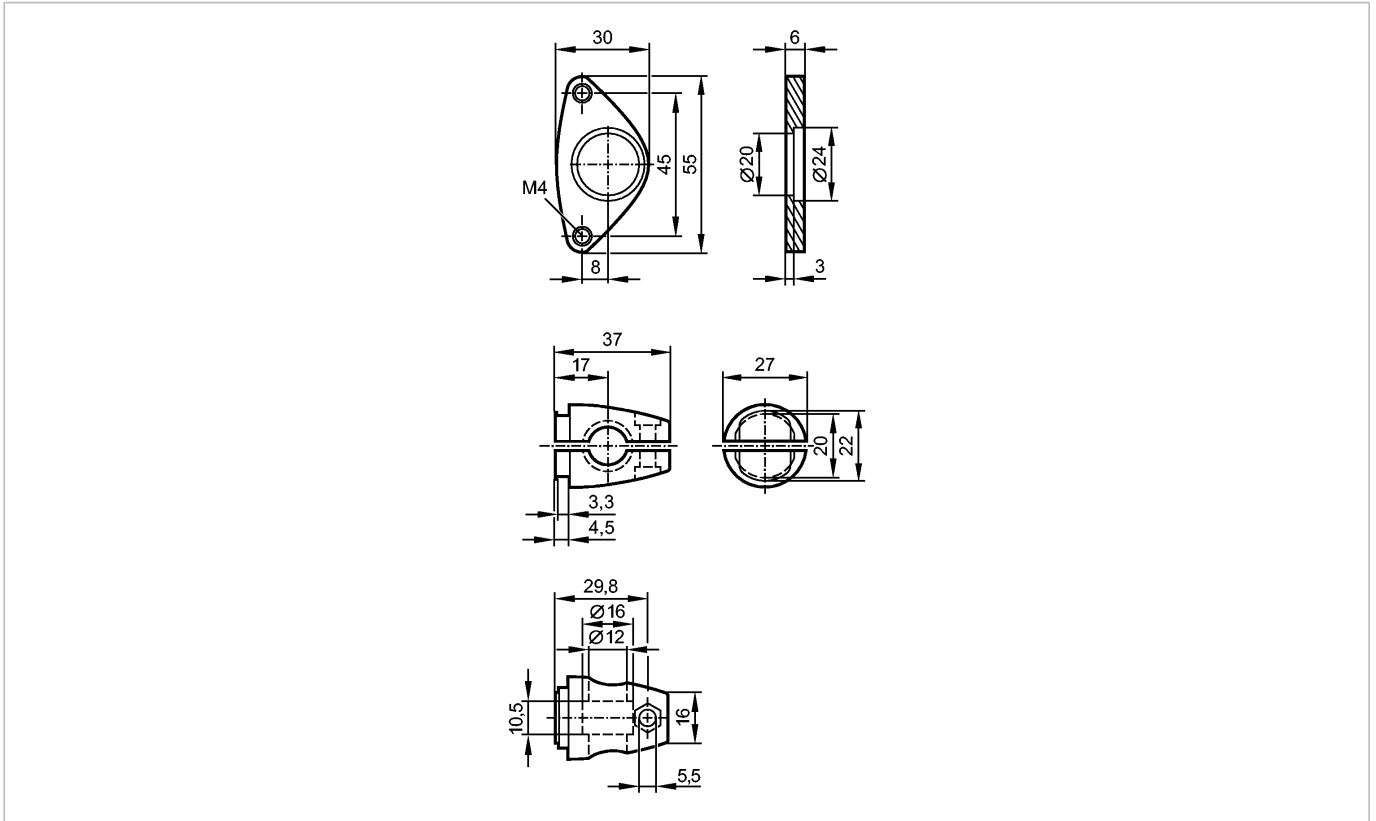




MOUNTING SET VISION SENSOR

Accessories



Product characteristics

Mounting set	
O2D, O2M, O2I, O2V	
Clamp mounting	
Mechanical data	
Housing materials	fixture: stainless steel (304S15); clamp: stainless steel (316C)
Type of mounting	rod mounting Ø 12 mm
Weight [kg]	0.133
Remarks	
Pack quantity [piece]	1