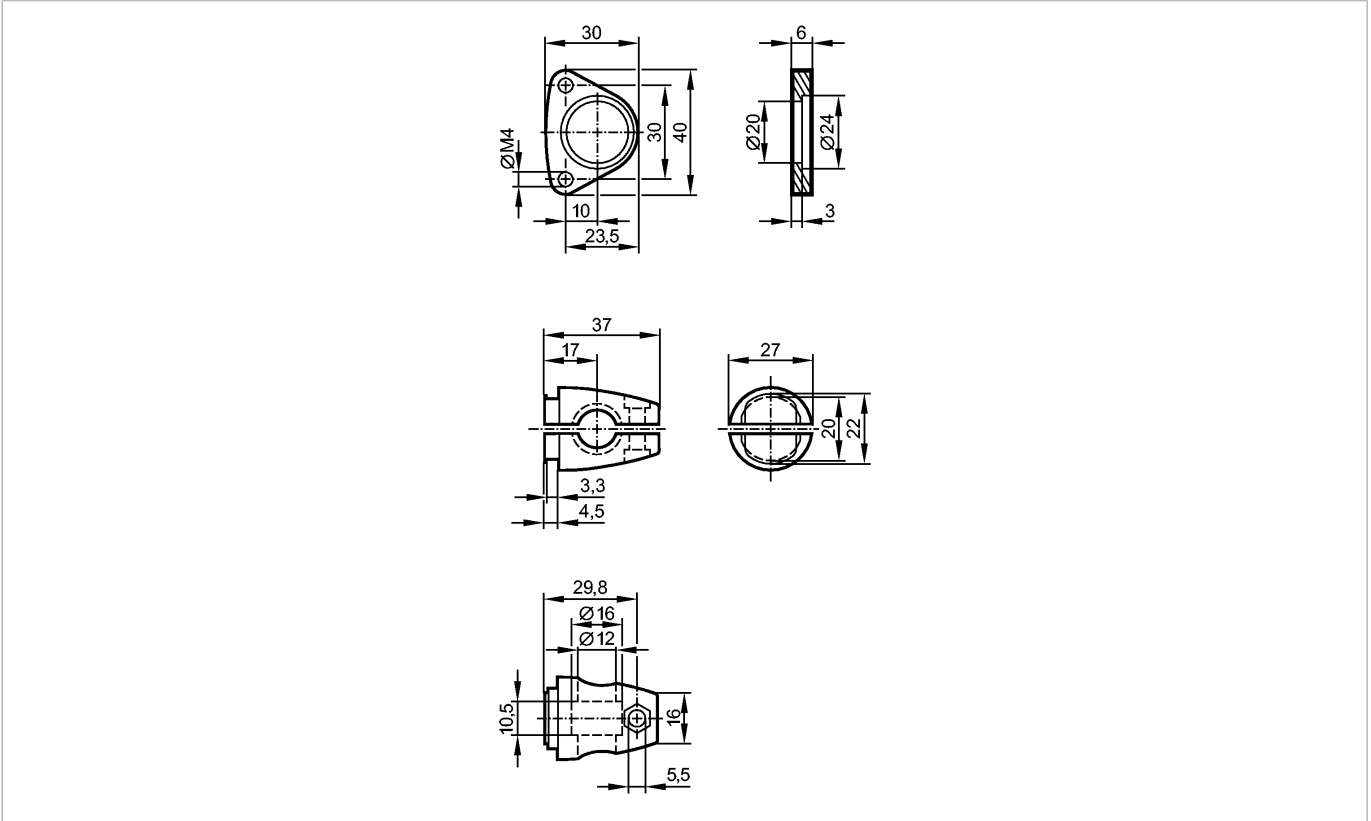




MOUNTING SET O1D 12MM

Accessories



Product characteristics

Mounting set

Clamp mounting

Mechanical data

Design

Housing materials

Type of mounting

Weight

[kg]

Accessories

Accessories (included)

Remarks

Pack quantity

[piece]

for types O1D

fixture: stainless steel (304S15); clamp: stainless steel (316C); screws: stainless steel; Nut: high-grade stainless steel

rod mounting Ø 12 mm

0.12

2 socket head screws M4 x 45

1