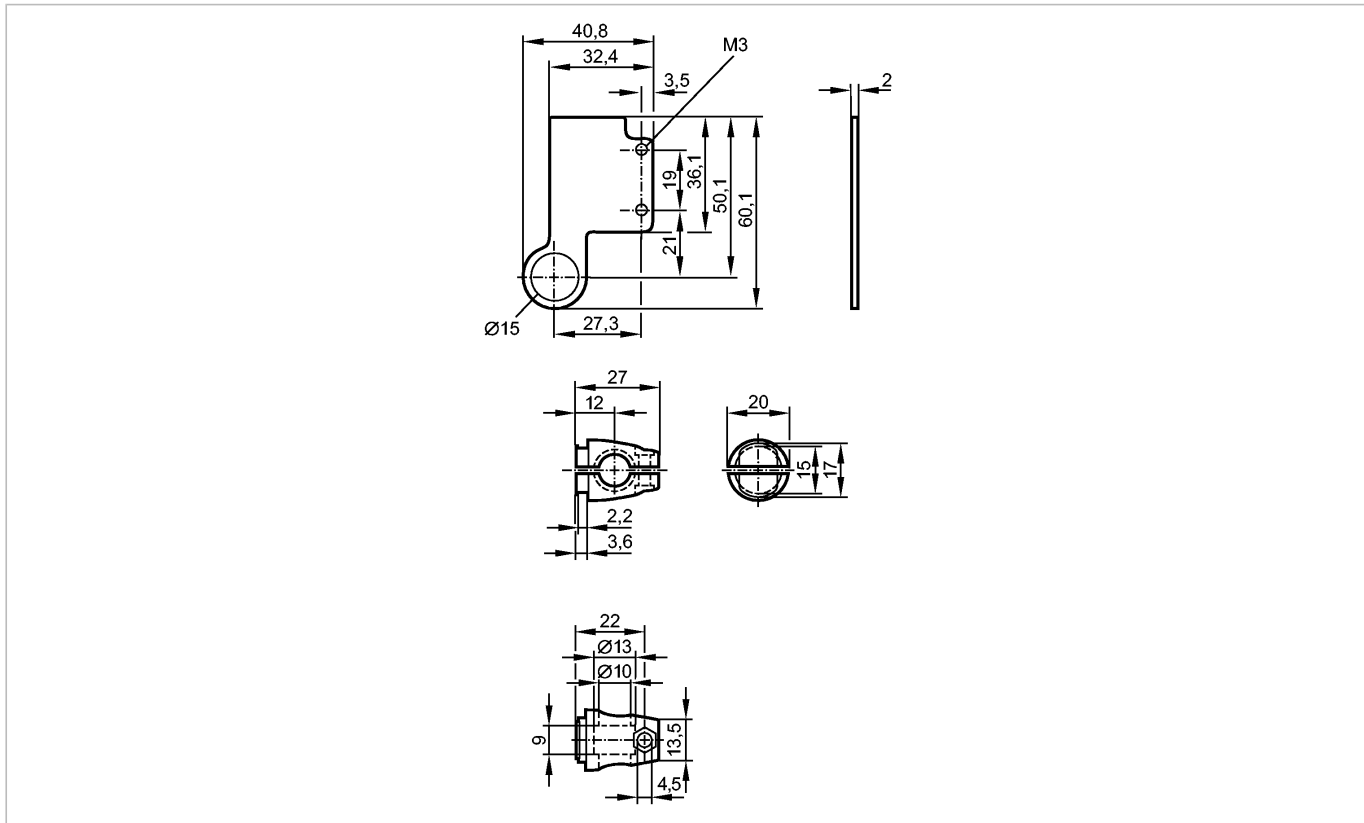


SYSTEM COMPONENT OJ ROD

Accessories



Product characteristics

Mounting set

OJ

Mechanical data

Design

for side lens

Housing materials

clamp: diecast zinc; fixture: stainless steel 316Ti / 1.4571

Type of mounting

rod mounting $\varnothing 10$ mm

Weight

[kg]

0.059

Accessories

Accessories (included)

screw; M4 x 12; Nut; M4

Remarks

Pack quantity

[piece]

1