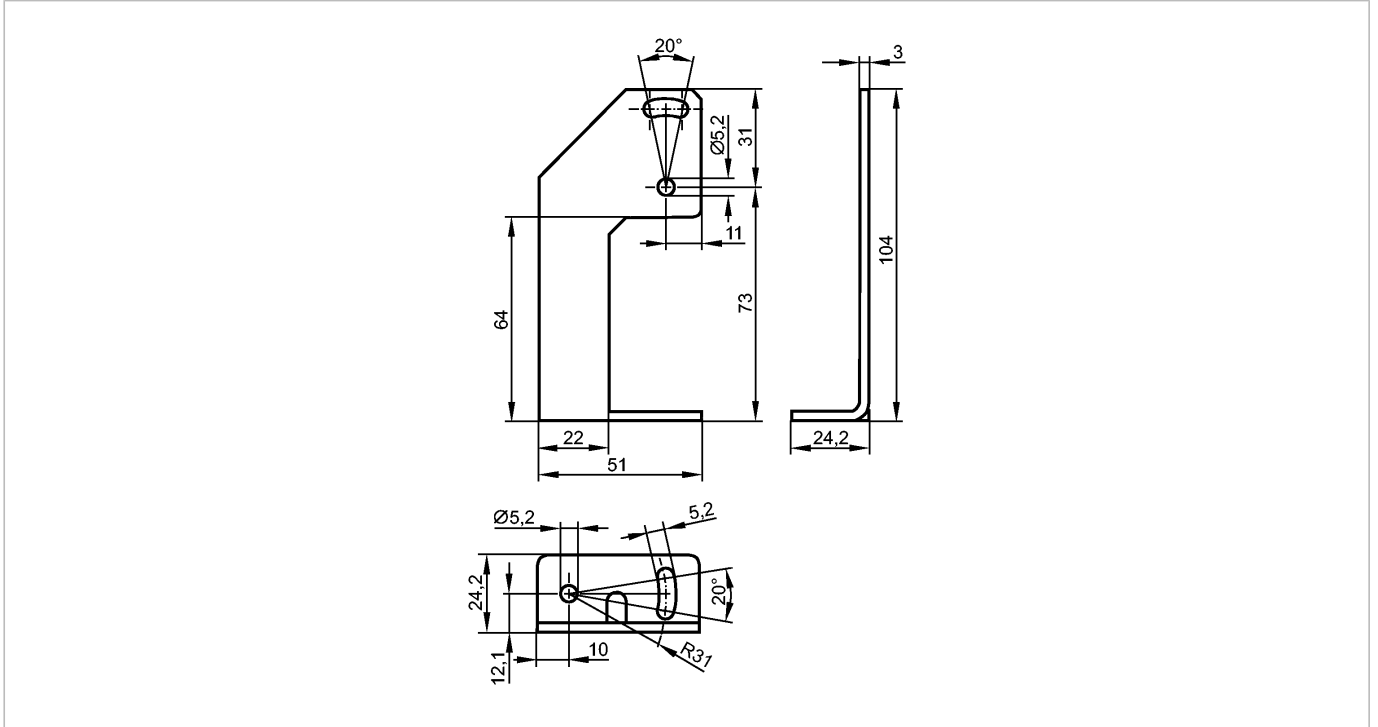


O5 STANDARD BRACKET

Accessories



Product characteristics

Angle bracket

Mechanical data

Design

for types O5

Housing materials

stainless steel 316Ti / 1.4571

Weight

[kg]

0.121

Accessories

Accessories (included)

2 cylinder head screw; M5 x 28; 2 nuts; 2 washers

Remarks

Pack quantity

[piece]

1