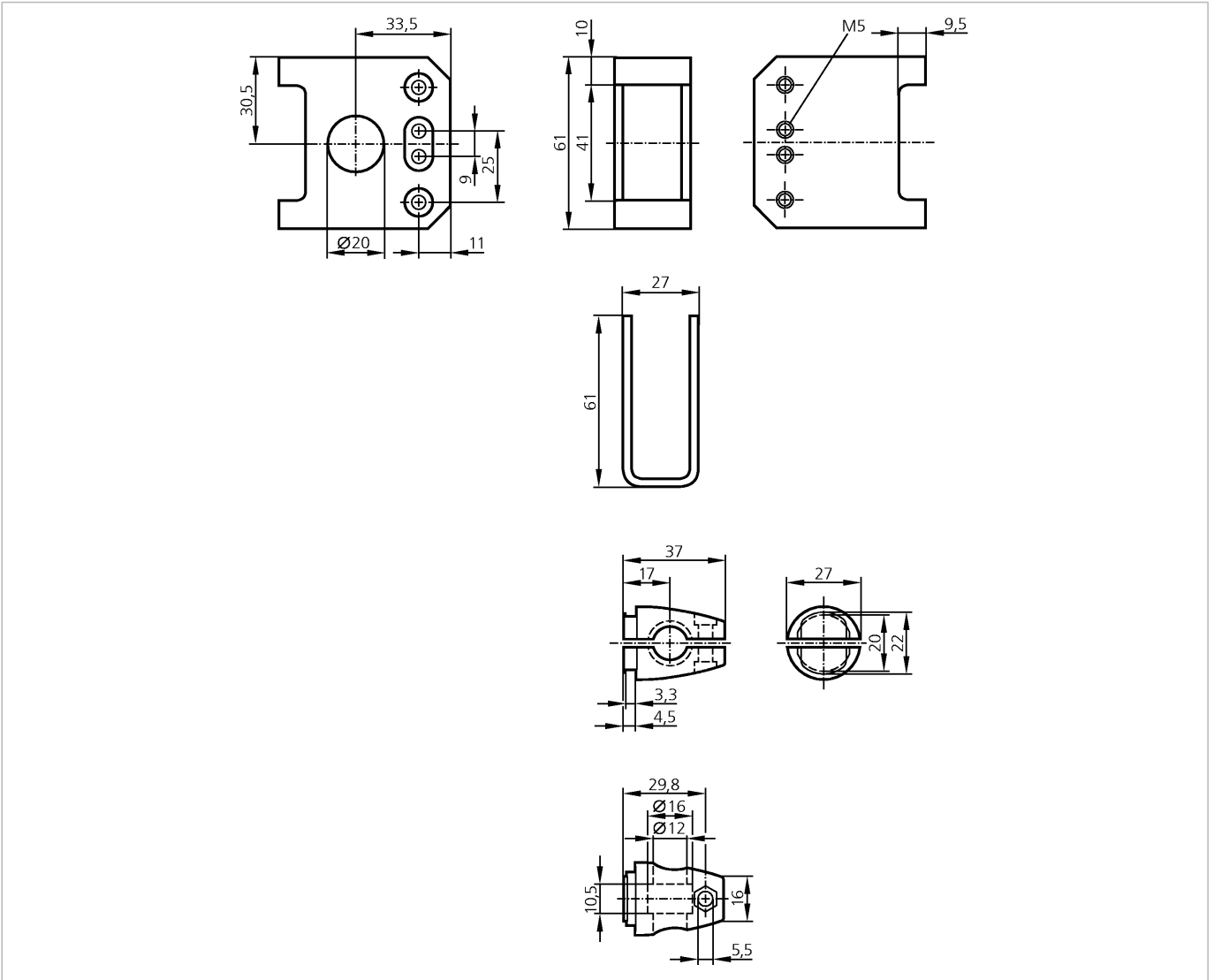


O5 PROTECTIVE BRACKET ROD

Accessories



Product characteristics	
Mounting set	
Clamp mounting	
with protective cover	
Mechanical data	
Design	for types O5
Housing materials	stainless steel 316Ti / 1.4571; clamp: diecast zinc
Type of mounting	free-standing M10
Weight [kg]	0.347
Accessories	
Accessories (included)	Head cap screw; M10x120; 2 nuts; M10; 2 washers; 2 cylinder head screw; M5 x 16
Remarks	
Pack quantity [piece]	1