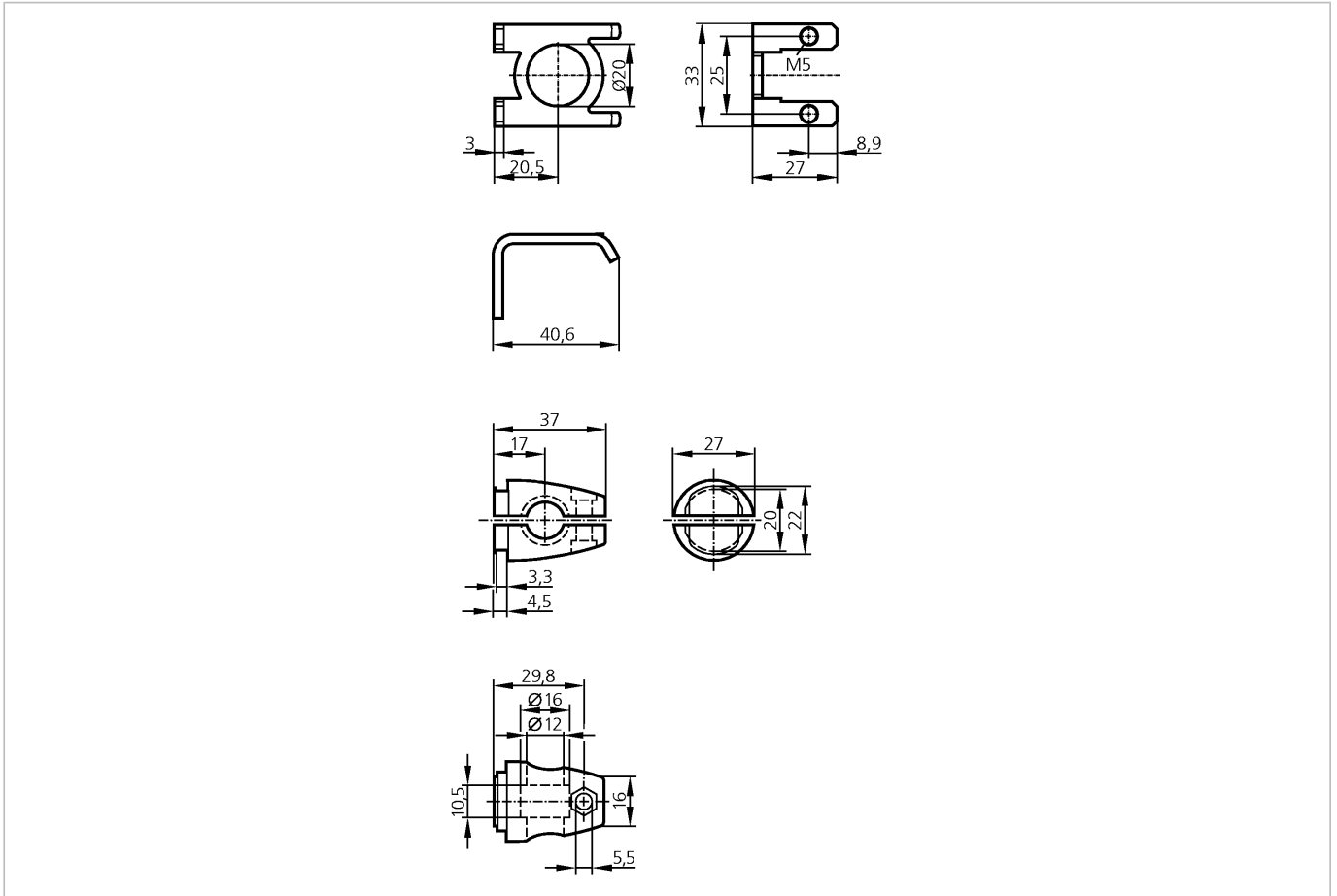


O5 MOUNTING BRACKET ROD

Accessories



Product characteristics

Mounting set

Clamp mounting

Mechanical data

Design

for types O5

Housing materials

stainless steel 316Ti / 1.4571; clamp: diecast zinc

Type of mounting

free-standing M10

Weight

[kg]

0.222

Accessories

Accessories (included)

Head cap screw; M10x120; 2 nuts; M10; 2 washers; 2 cylinder head screw; M5 x 8

Remarks

Pack quantity

[piece]

1