

no longer available - archive entry

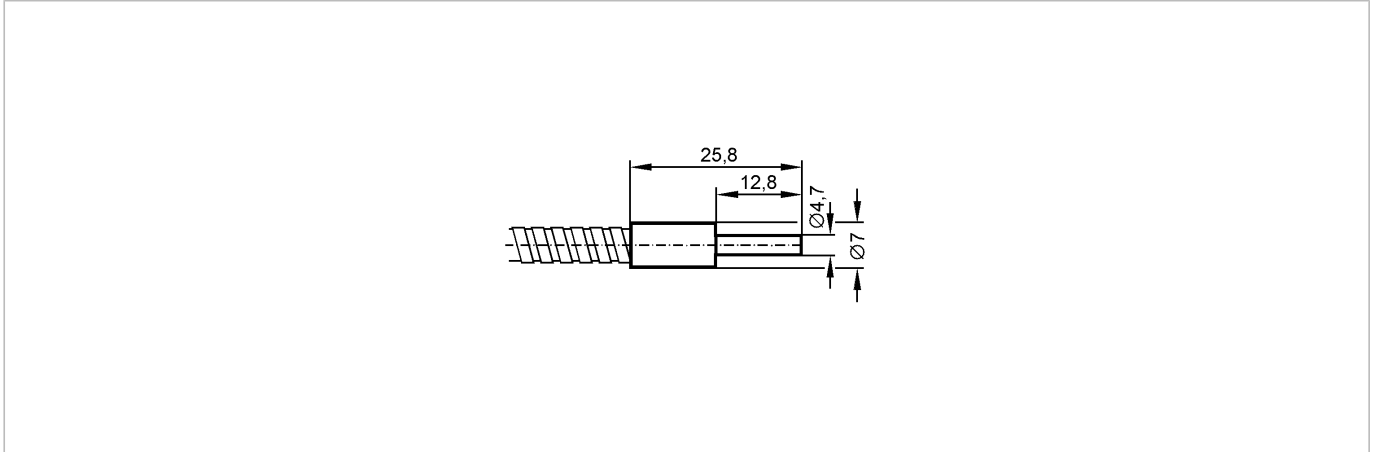
efector200

E21035



FT-50-V-V-E4.7/1.8M

Fiber optics



Product characteristics

Diffuse reflection sensor

Ø 4.7 mm

Amplifier Range

OBF 75 mm

OMF 90 mm

Monitoring range

Range

OBF: 75 mm / OMF: 90 mm

Environment

Ambient temperature [°C]

-58...315

Mechanical data

Design

straight

Length [mm]

1800

Fiber optic

glass

Sensing head

stainless steel (303S22)

Sheathing

stainless steel (303S22)

Remarks

Pack quantity [piece]

1

ifm efector, inc. • 1100 Atwater Drive • Malvern • PA 19355 — We reserve the right to make technical alterations without prior notice. — US — E21035 — 04.06.2003

no longer available - archive entry