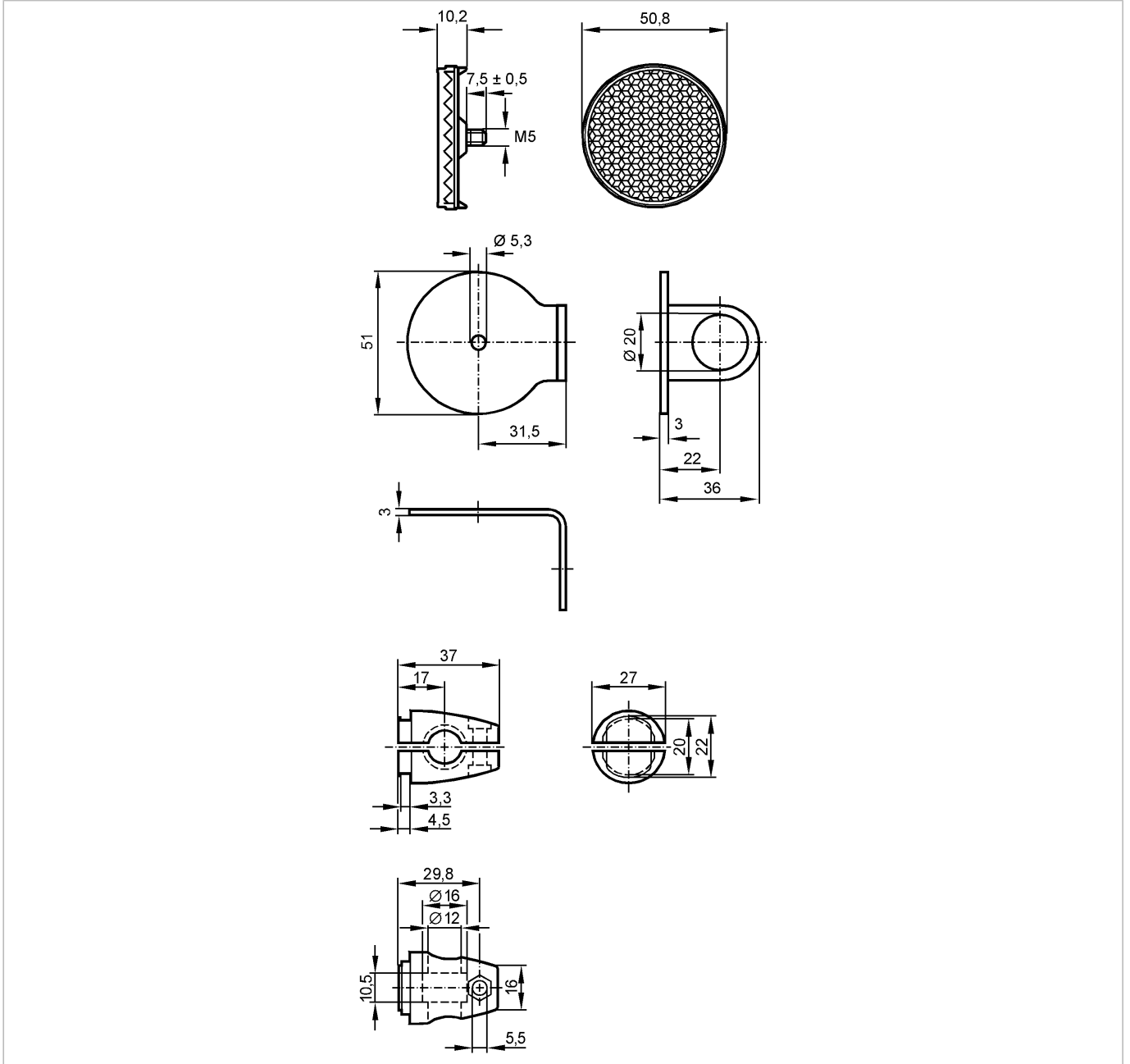




SYSTEM COMPONENT REFLECTOR

Accessories



Product characteristics

Mounting set

Clamp mounting

Mechanical data

Design

Housing materials

Type of mounting

Weight [kg]

Accessories

Accessories (included)

Remarks

Pack quantity [piece]

for reflector

fixture: stainless steel 316Ti / 1.4571; clamp: stainless steel (316C)

free-standing M10

0.251

Head cap screw; M10 x 55

1