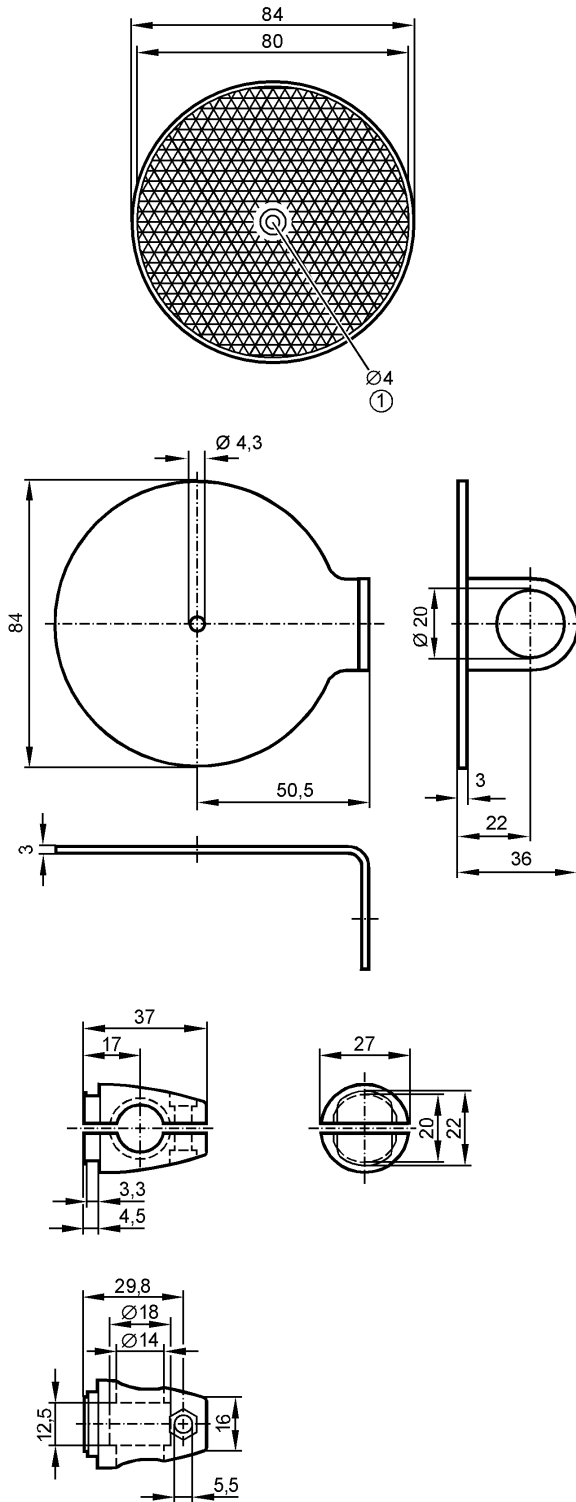


SYSTEM COMPONENT REFLECTOR

Accessories



1: Ø Screwhead up to 7.5 mm

Product characteristics

Mounting set

Clamp mounting

Mechanical data

Design

Housing materials

Type of mounting

for reflector

fixture: stainless steel 316Ti / 1.4571; clamp: diecast zinc

free-standing M12

**E20995 - Mounting set - eclass: 27279202 / 27-27-92-02**

Weight	[kg]	0.422
Accessories		
Accessories (included)		screw; M12x120
Remarks		
Pack quantity	[piece]	1

ifm efector, inc. • 1100 Atwater Drive • Malvern • PA 19355 — We reserve the right to make technical alterations without prior notice. — US — E20995 — 06.03.2003