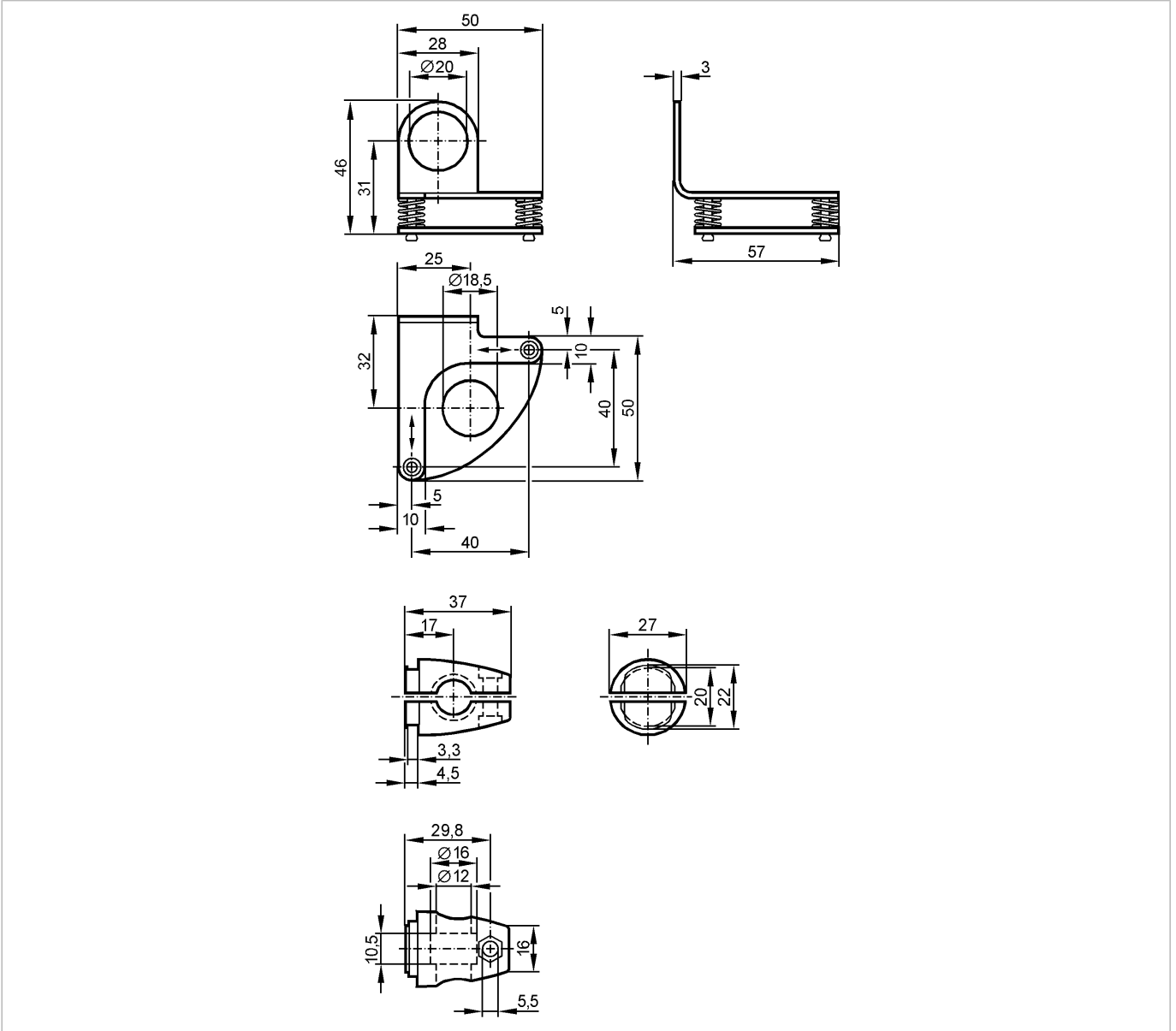


MOUNTING SET OG/LASER

Accessories



Product characteristics

Mounting set

OG

Clamp mounting

Mechanical data

Adjustment range

fine adjustment in 2 axes  $\pm 3^\circ$

Housing materials

fixture: stainless steel 316Ti / 1.4571; clamp: diecast zinc

Type of mounting

rod mounting  $\varnothing 12$  mm

Weight

[kg]

0.232

Accessories

Accessories (included)

Head cap screw; M10 x 55

Remarks

Pack quantity

[piece]

1