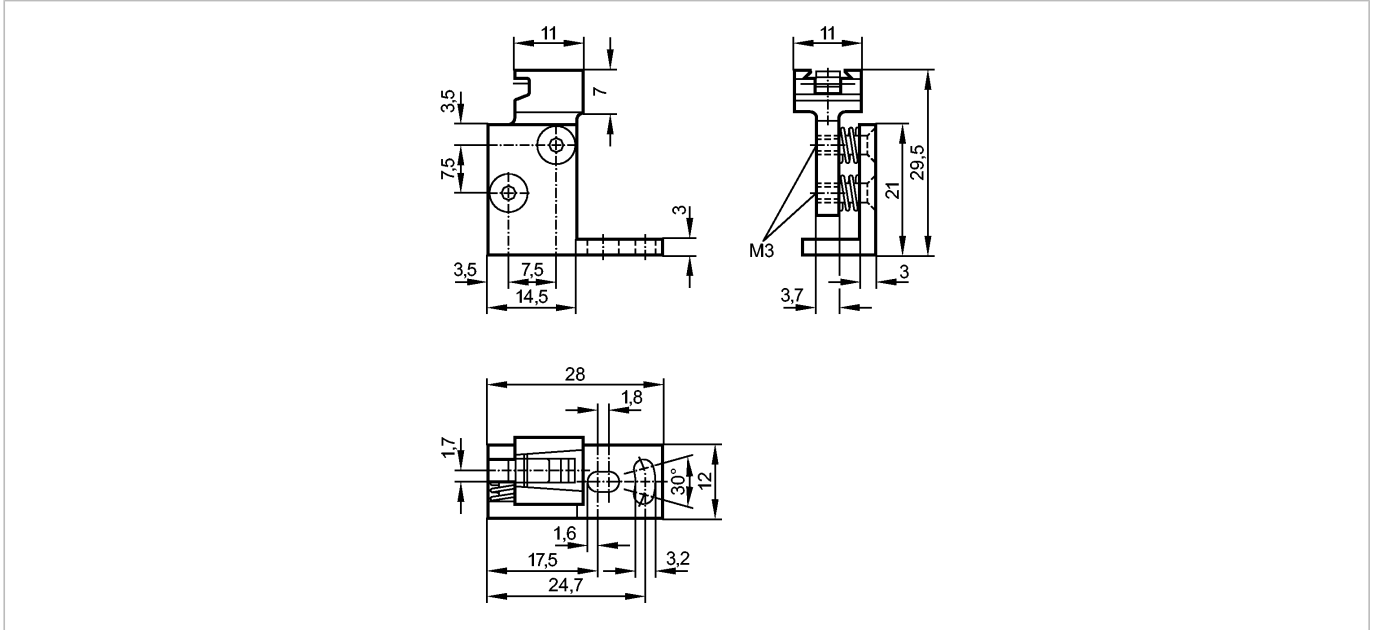


SYSTEM COMPONENT OJ LASER

Accessories



Product characteristics

Mounting and fine adjustment bracket for laser units

Mechanical data

Design	for front lens for types OJ
Adjustment range	fine adjustment in 2 axes $\pm 2^\circ$
Housing materials	diecast zinc
Weight [kg]	0.035
Remarks	
Pack quantity [piece]	1