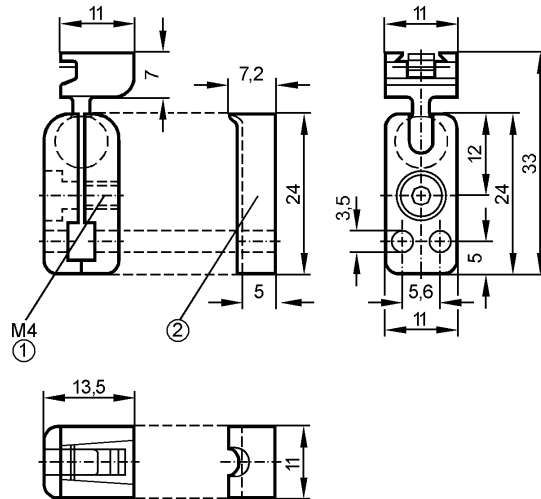




SYSTEM COMPONENT OJ BALL

Accessories



1: max. tightening torque of the M4 screw 3 Nm

2: Spacer

Product characteristics

Swivel-mount clip

Mechanical data

Design	for types OJ
Housing materials	diecast zinc
Weight [kg]	0.042
Remarks	
Pack quantity [piece]	1