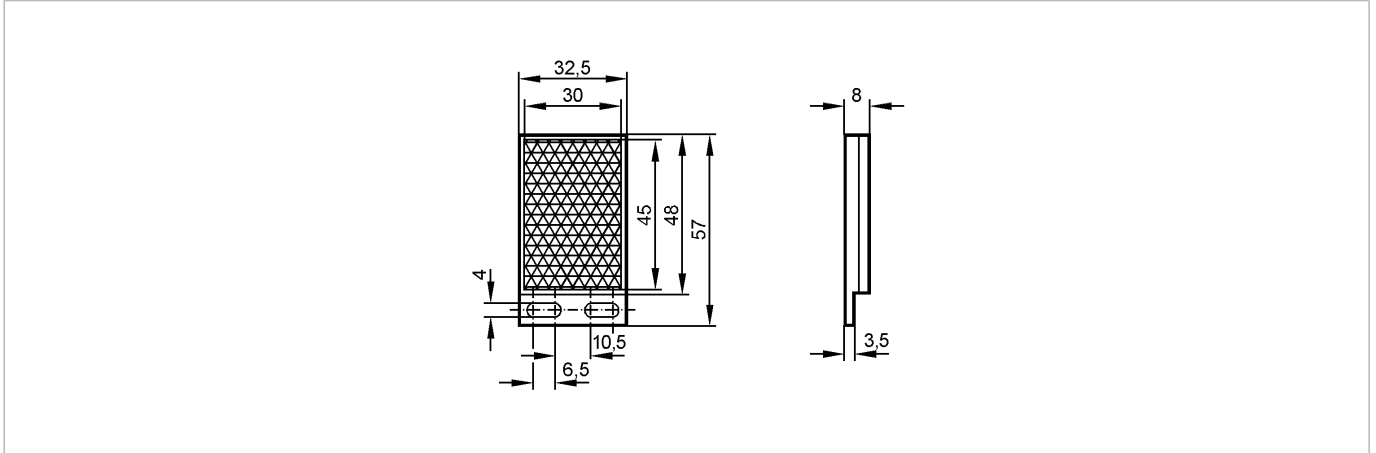


REFLECTOR TS-57X32

Accessories



Product characteristics

Prismatic reflector

57 x 32 mm

Environment

Ambient temperature [°C] -10...58

Mechanical data

Design rectangular; for red light and infrared light retro-reflective sensors

Housing materials plastics

Weight [kg] 0.012

Remarks

Pack quantity [piece] 1