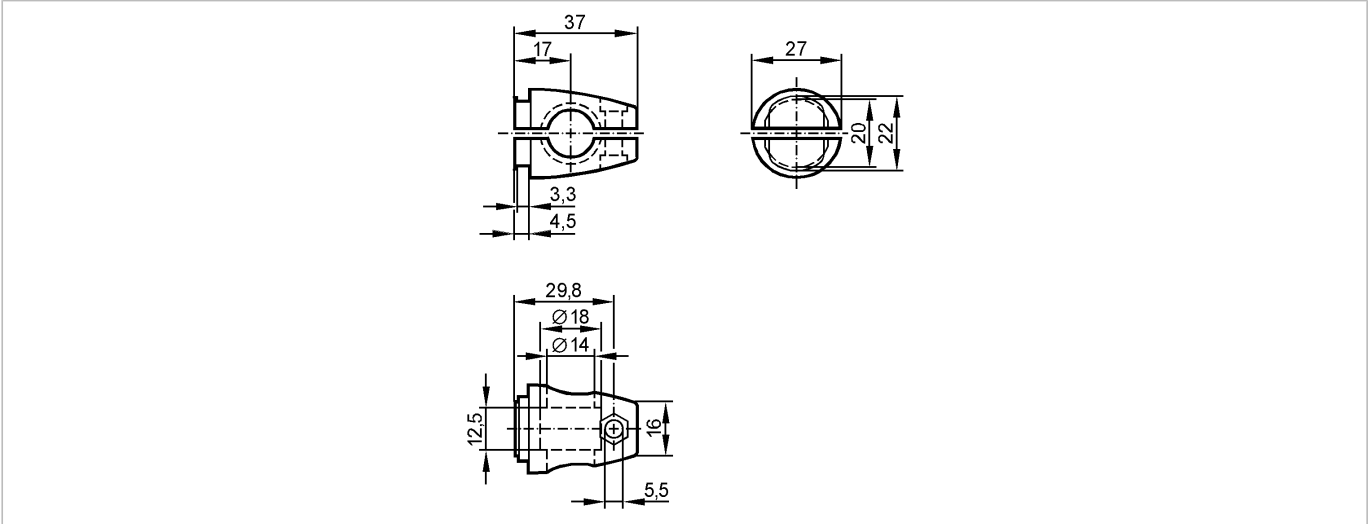




SYSTEM COMPONENT CLAMP BOLT

Accessories



Product characteristics

clamp

Ø 14 mm; M12

Mechanical data

Housing materials

clamp: stainless steel (316C)

Type of mounting

free-standing M12

Weight [kg]

0.253

Accessories

Accessories (included)

screw; M12x120

Remarks

Pack quantity [piece]

1