

no longer available - archive entry

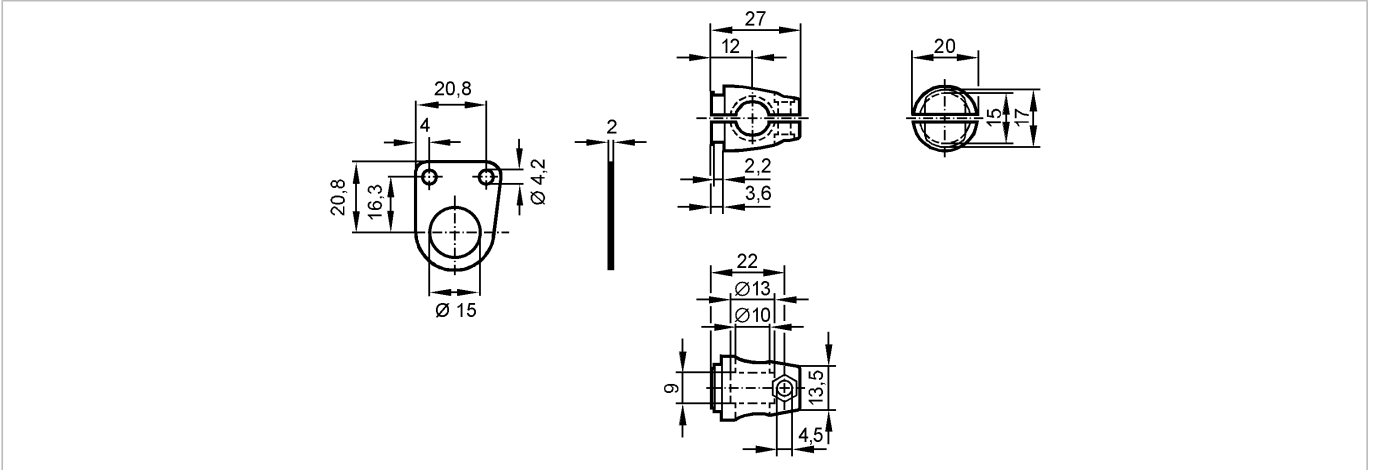
**efector200**

E20897



SYSTEM COMPONENT OC BOLT

Accessories



Product characteristics

Mounting set

Clamp mounting

Mechanical data

Design

for types OC

Housing materials

fixture: stainless steel 316Ti / 1.4571; clamp: diecast zinc

Type of mounting

free-standing M8

Weight

[kg]

0.087

Accessories

Accessories (included)

screw; M8 x 40

Remarks

Pack quantity

[piece]

1

ifm efector, inc. • 1100 Atwater Drive • Malvern • PA 19355 — We reserve the right to make technical alterations without prior notice. — US — E20897 — 06.03.2003

no longer available - archive entry