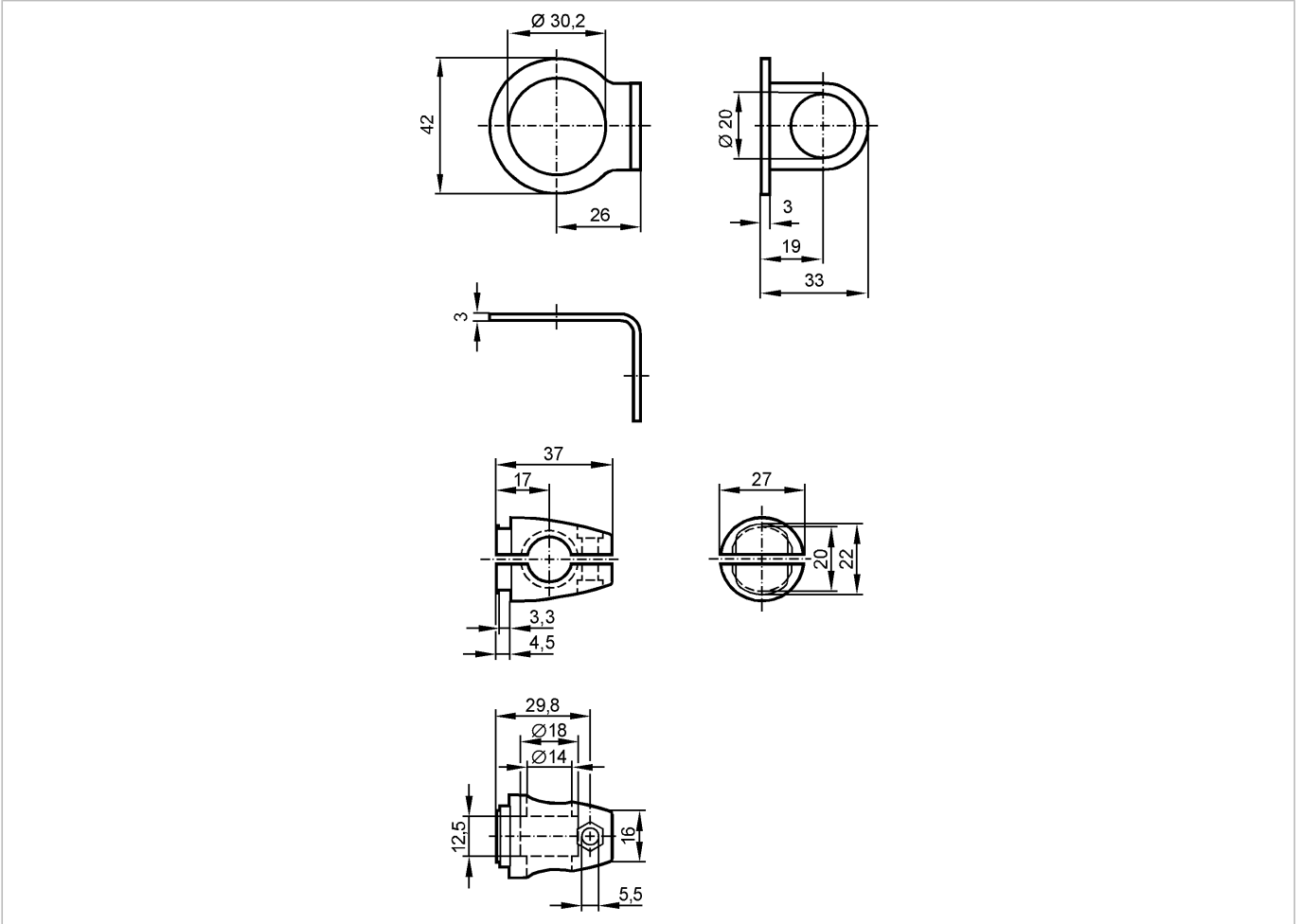


SYSTEM COMPONENT M30 BOLT

Accessories



Product characteristics

Mounting set

$\varnothing 30.2$ mm

Clamp mounting

Mechanical data

Design

for types OI, II, KI

Housing materials

fixture: stainless steel 316Ti / 1.4571; clamp: stainless steel (316C)

Type of mounting

free-standing M12

Weight

[kg]

0.214

Accessories

Accessories (included)

screw; M12 x 55

Remarks

Pack quantity

[piece]

1