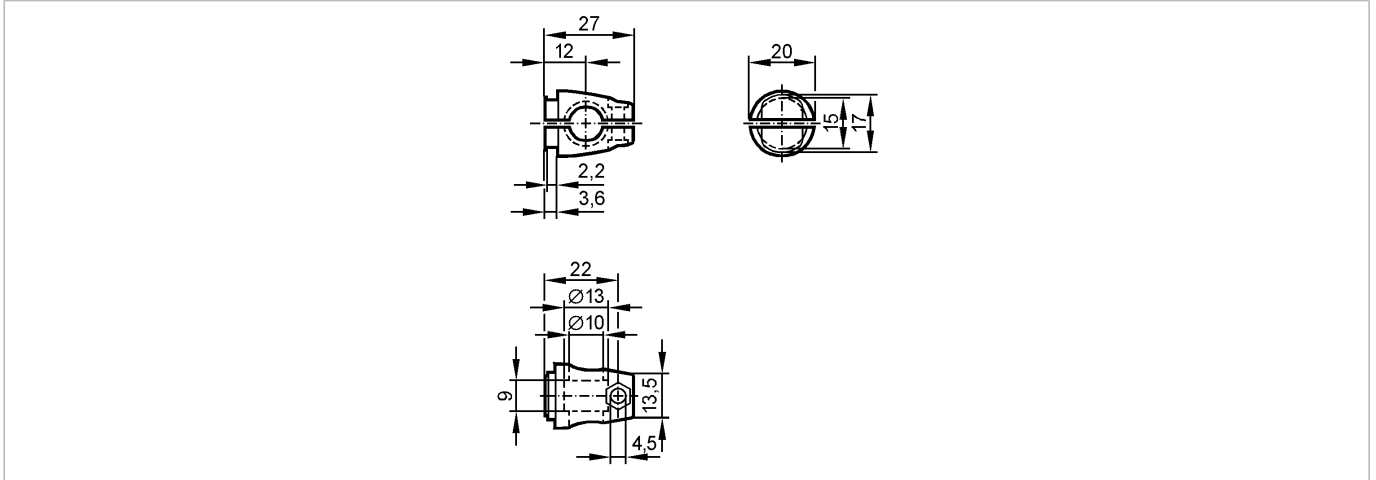




CLAMP OF V4A FREESTANDING

Accessories



Product characteristics

clamp

Ø 10 mm; M8

Mechanical data

Housing materials

clamp: stainless steel 316Ti / 1.4571

Type of mounting

free-standing M8

Weight

[kg]

0.091

Accessories

Accessories (included)

Head cap screw; M8 x 80; 2 washers; 2 hexagon nuts

Remarks

Pack quantity

[piece]

1