

no longer available - archive entry

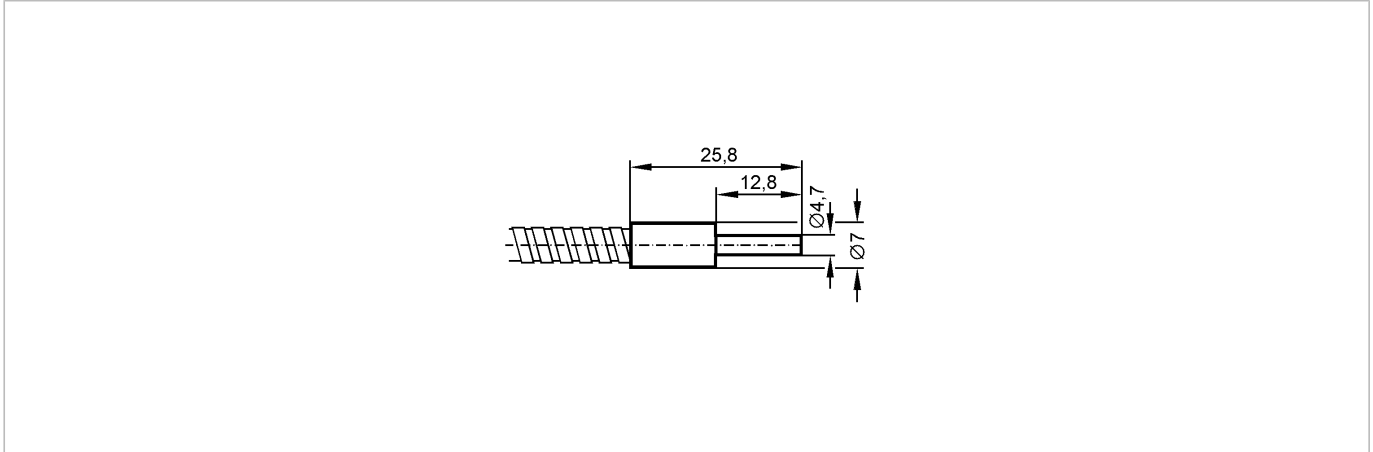
efector200

E20842



FE-50-V-V-E4.7

Fiber optics



Product characteristics

Through-beam sensor

Ø 4.7 mm

Amplifier Sensing range

OBF 1000 mm

ODF 4 mm

OMF 800 mm

Monitoring range

Sensing range

OBF: 1000 mm / ODF: 4 mm / OMF: 800 mm

Environment

Ambient temperature [°C]

-58...315

Mechanical data

Design

straight

Length [mm]

900

Fiber arrangement



Fiber optic

glass

Sensing head

stainless steel (303S22)

Sheathing

stainless steel (303S22)

Weight [kg]

0.094

Remarks

Pack quantity [piece]

1

ifm efector, inc. • 1100 Atwater Drive • Malvern • PA 19355 — We reserve the right to make technical alterations without prior notice. — US — E20842 — 04.06.2003

no longer available - archive entry