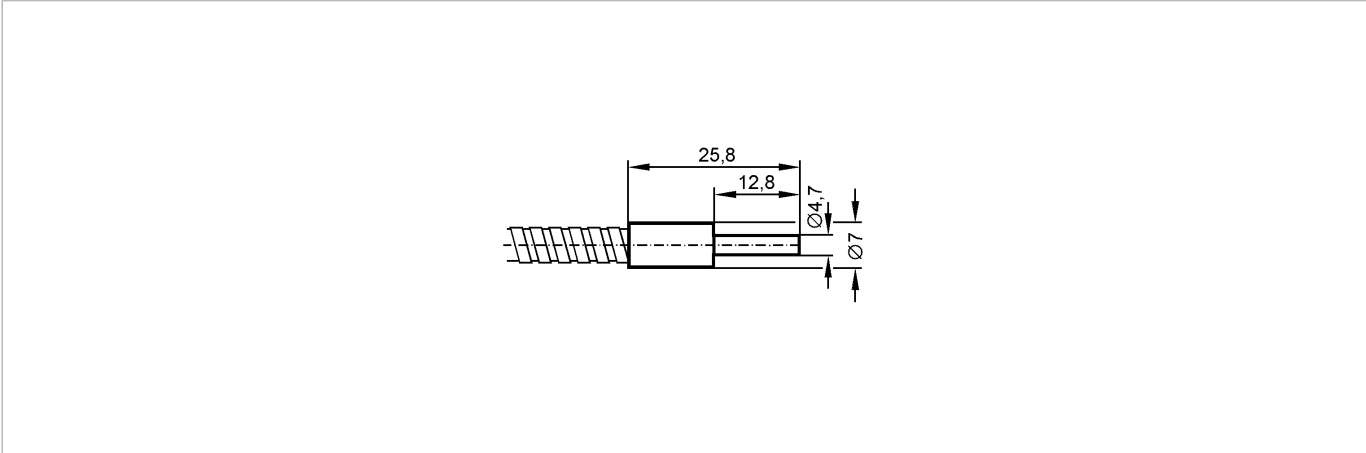




FT-50-V-V-E4.7

Fiber optics



Product characteristics

Diffuse reflection sensor

Ø 4.7 mm

Amplifier Range

OBF 150 mm

ODF 1 mm

OMF 175 mm

Monitoring range

Range

OBF: 150 mm / ODF: 1 mm / OMF: 175 mm

Environment

Ambient temperature [°C]

-58...315

Mechanical data

Design

straight

Length [mm]

900

Fiber arrangement



Fiber optic

glass

Sensing head

stainless steel (303S22)

Sheathing

stainless steel (303S22)

Weight [kg]

0.114

Remarks

Pack quantity [piece]

1