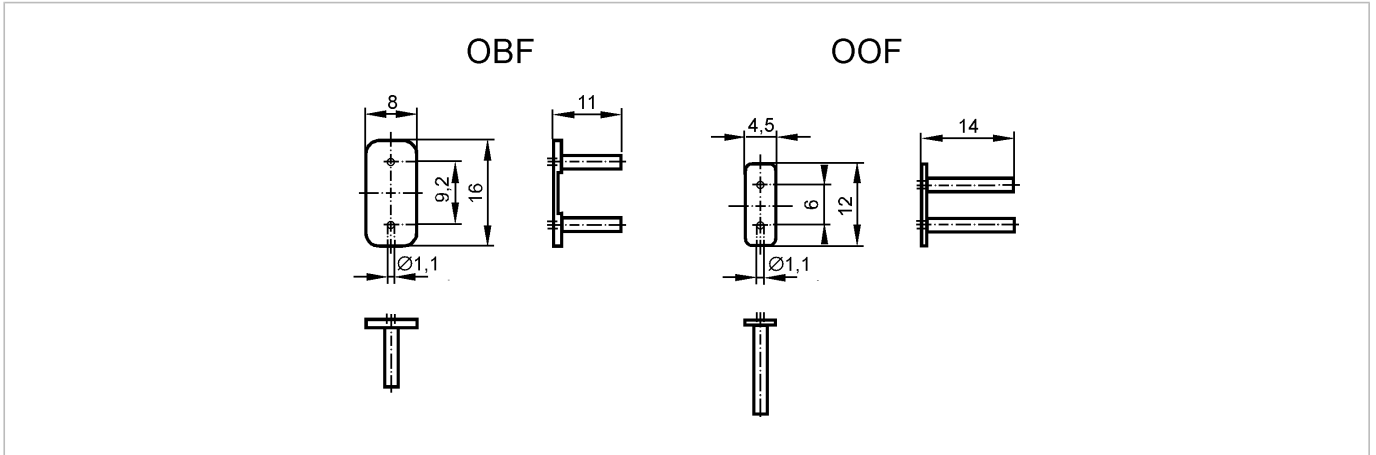




ADAPT F FT/FE-11 M 0.5MM FASER

Accessories



Product characteristics

Adapter

Environment

Ambient temperature [°C] -25...60

Mechanical data

Design for fiber optics for types OBF, OOF

Housing materials ULTRAMID

Weight [kg] 0.005

Remarks

Pack quantity [piece] 20