

Article discontinued as of 31.March 2017

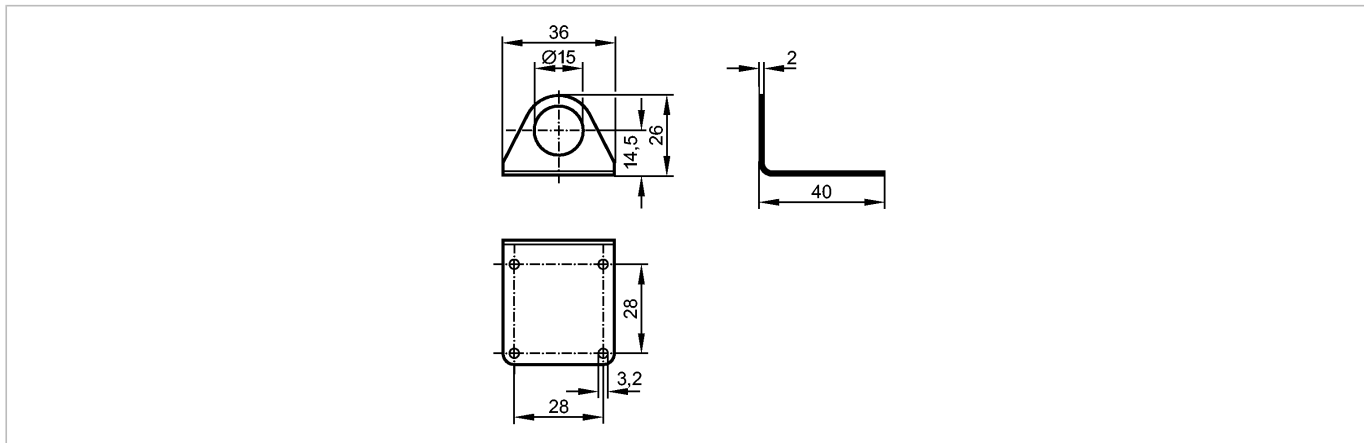
efector200

E20811



OW ANGLE BRAKET FOR KIT SYSTEM

Accessories



Product characteristics

Angle bracket

Clamp mounting

Mechanical data

Design

for types IW, KQ5

Housing materials

stainless steel 316Ti / 1.4571

Weight

[kg]

0.087

Accessories

Accessories (included)

4 screws; M3 x 8; nuts; 4 washers; bolt; M8 x 80

Remarks

Pack quantity

[piece]

1

ifm efector, inc. • 1100 Atwater Drive • Malvern • PA 19355 — We reserve the right to make technical alterations without prior notice. — US — E20811 — 10.11.2009

Article discontinued as of 31.March 2017