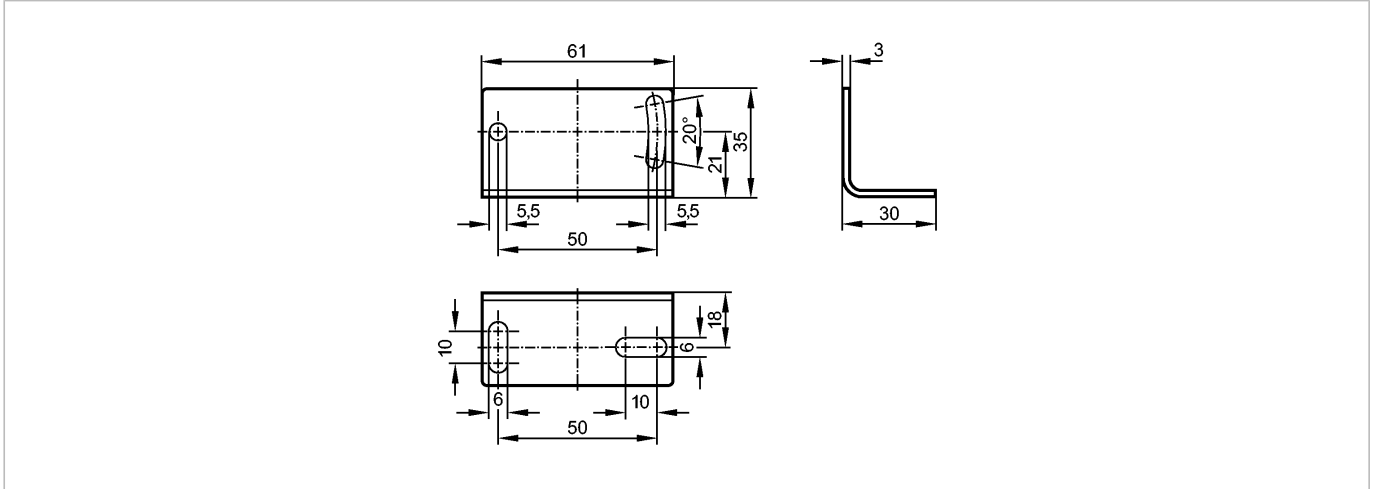




ANGLE BRACKET OL SMALL

Accessories



Product characteristics

Angle bracket	
Mechanical data	
Design	for types OL
Housing materials	stainless steel (304S15)
Weight [kg]	0.103
Accessories	
Accessories (included)	2 screws; M5 x 30; 2 nuts; 2 spring washers
Remarks	
Pack quantity [piece]	1