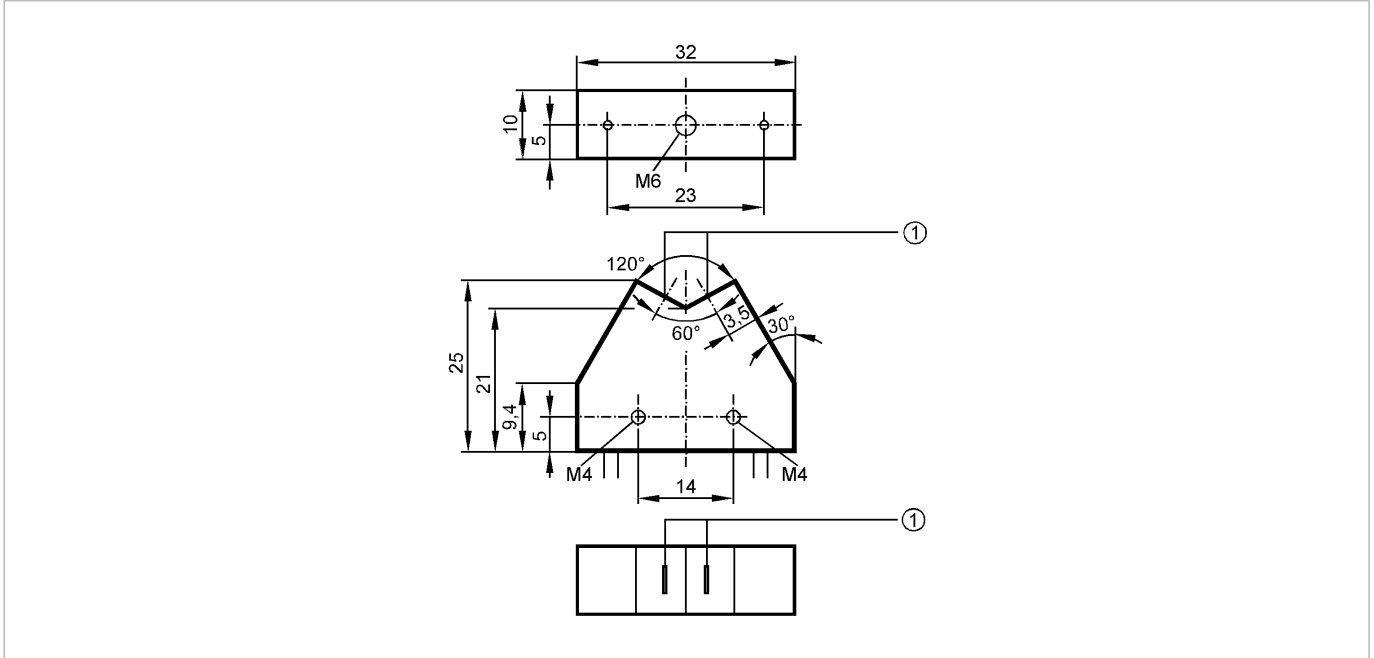




FT-11-EPA-X/F2xF16x0.265/2M

Fiber optics



Product characteristics	
Diffuse reflection sensor	
Amplifier Range	
OBF 7 mm	
OOF 7 mm	
Monitoring range	
Range	OBF: 7 mm / OOF: 7 mm
Environment	
Ambient temperature [°C]	-40...70
Mechanical data	
Length [mm]	2000
Min. bending radius [mm]	15
Fiber arrangement	
Fiber optic	PMMA
Sensing head	aluminum
Sheathing	PE (polyethylene)
Weight [kg]	0.057
Remarks	
Remarks	Range approx. 6.9 mm from aperture (referred to white paper 200 x 200 mm) approx. 5 mm from aperture (with lateral CD detection and highest excess gain)
Pack quantity [piece]	1